

NANO-D CONNECTORS

ELEVATING SIGNAL INTEGRITY IN AEROSPACE AND MILITARY APPLICATIONS



Amphenol CANADA
MILITARY & AEROSPACE

Amphenol CANADA

MILITARY & AEROSPACE



For more than 50 years, Amphenol Canada Corp. a subsidiary of Amphenol Corporation has been an international leader in the manufacture of Rectangular I/O and EMI Filtered Connectors.

We design, manufacture and test EMI / EMP filter and non-filter connectors, which are used worldwide in military, aerospace, and commercial applications. As part of Amphenol Corporation, we have the advantage of access to technologies and processes of Amphenol's worldwide facilities. Our expertise in understanding and supporting our customers' interconnect needs has earned us a reputation of excellence among the world's leading users of electronic components.

CUSTOMER SERVICE

At Amphenol Canada, customer service is a solid commitment from all our employees. Our product managers, application engineers, product specialists, and sales representatives are able to answer your questions and assist you in choosing the right connectors for your applications.

Whether you need standard or custom designed connectors, our marketing department is your liaison with Amphenol Canada's engineering, quality and manufacturing experts.

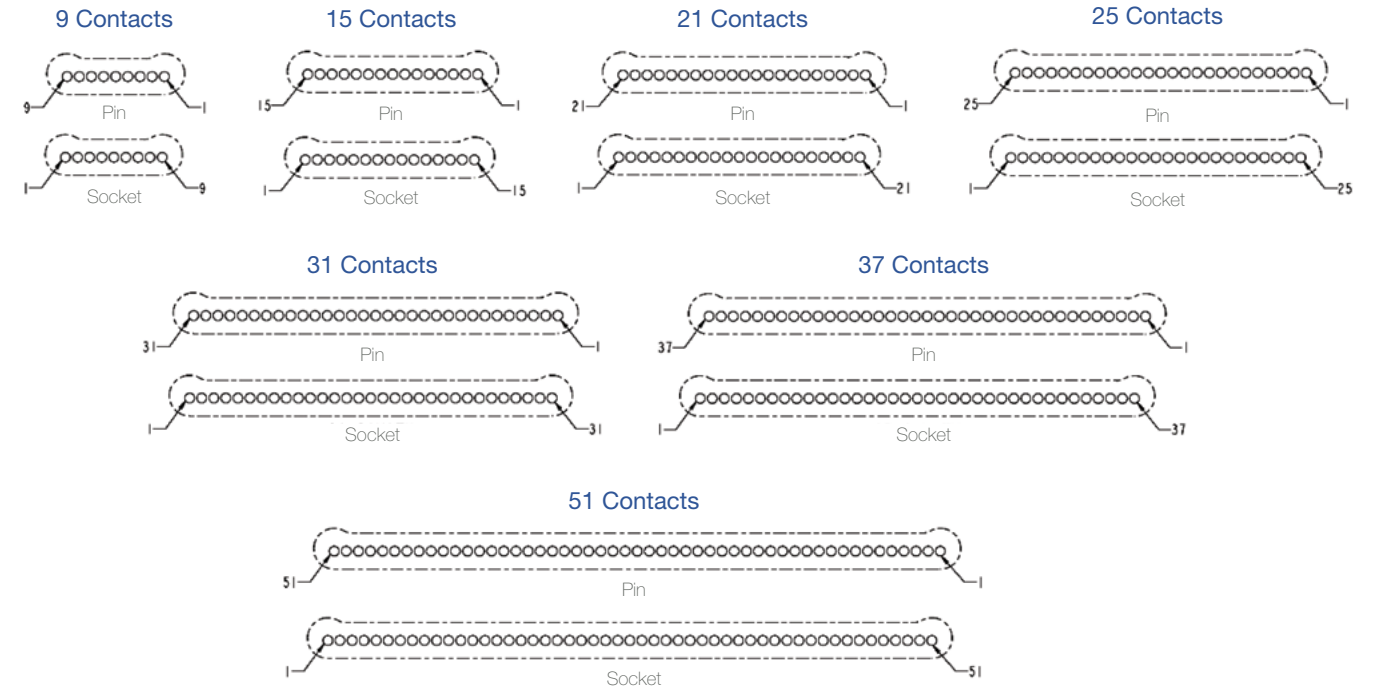
QUALITY AND RELIABILITY

Certified to ISO 9001 and AS9100D, Amphenol Canada's broad base of customers and the high levels of technology in which they are involved make it essential that Amphenol's own products are of the highest quality and reliability.

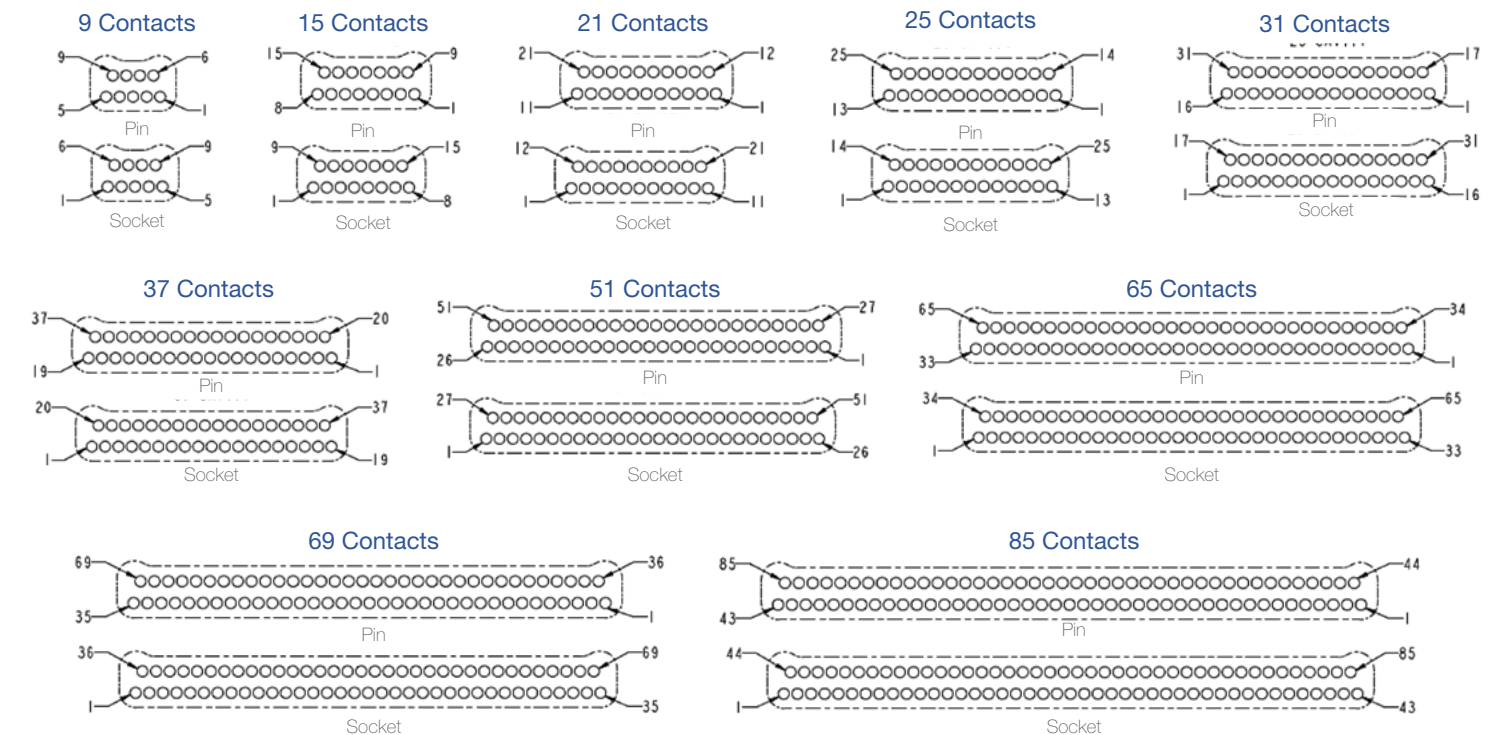
Please contact us for RoHS requirements.

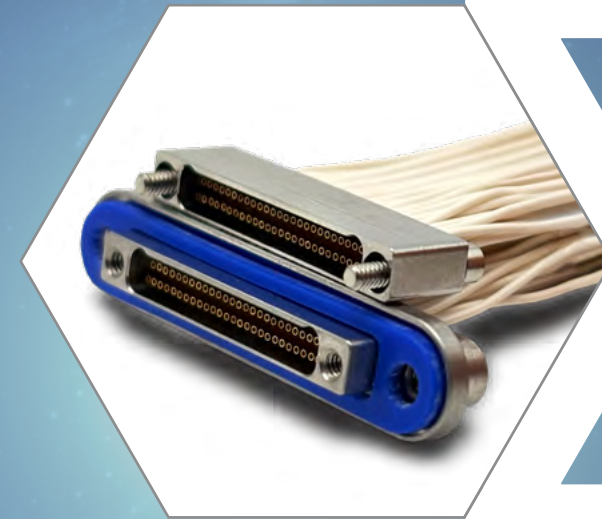
Introduction	5
Contact Arrangements	5
Nano-D Standard	7
Harnessed Connectors	8
How to Order	8
M32139 REFERENCE	10
Crimp/Wire Termination	13
PCB Connectors	14
How to Order	14
M32139 REFERENCE	16
Vertical Through-Hole (VT) Termination	17
Horizontal Through-Hole (HT) Termination	19
Vertical Surface Mount (VM) Termination	21
Horizontal Surface Mount (HM) Termination	22
Circular Nano	25

SINGLE ROW



DUAL ROW





NANO-D STANDARD N9A SERIES

Engineered for maximum density in aerospace and C4I systems, these connectors provide a 50% footprint reduction over standard Micro-D interfaces.

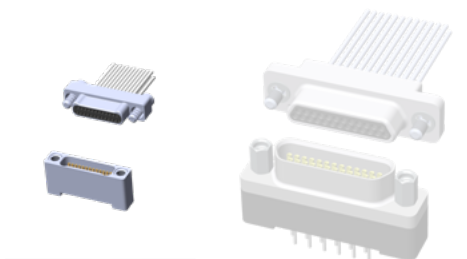
The N9A series deliver high-reliability performance where space and weight are at a premium.

FEATURES

- 0.025 (0.635mm) ultra-compact contact pitch
- MIL-DTL-32139 compliant stamped pin technology
- Lightweight aluminum or titanium shell options
- High-density board-level I/O optimization
- Configurable latching and polarization hardware
- Rugged construction for extreme avionics environments

SPECIFICATIONS

Shell	Material	Metal	Aluminum alloy Stainless Steel (Passivated)
	Finish	Metal	Anodized (Black) Zinc Nickel (Black Chromate) Cadmium (Yellow Chromate) Olive Drab Cadmium Chem Film
			» Gold » Zinc Nickel - 48 hrs » Pure Electro-Deposited Al » Nickel fluorocarbon polymer » Electroless Nickel
Insulator / PCB Backshell		Liquid Crystal Polymer (LCP)	
Contacts	Material	Copper alloy, 50 micro-inches gold plate over nickel	
	Spacing	0.050 (1.27mm) centers	
	Quantity	9 15 21 25 31 37 51 65 69 85	
Hardware		Stainless steel, passivated	
Potting Material	Standard	EP1730-1 or equivalent	
	High Temp	EP173859 or equivalent	
Wire	Insulated	NEMA-HP3 (MIL-W-16878) SAE AS22759 DSCC 04047	
Coupling		Friction or Jackscrews into jackposts/threaded Inserts	

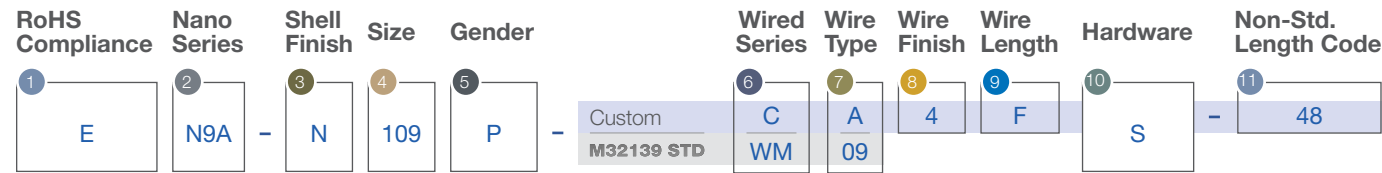


Size 25 Nano-D
0.575 x 0.125
(14.7 x 3.25mm)

X

Size 25 Micro-D
1.185 x 0.310
(30.1 x 7.87mm)

PART NUMBER KEY



RoHS Compliance 1	
E	RoHS Compliant
	Blank for Non-RoHS

Series 2	
N9A	Nano-D — M32139 STD
N99	Integrated Shell Nano-D
N9H	Harnessed Nano-D

Shell Finish 3	
A	Pure Electro-Deposited Aluminum
B	Zinc Nickel (Black Chromate)
C	Cadmium (Yellow Chromate)
D	Olive Drab Cadmium
F	Nickel fluorocarbon polymer
G	Gold
K	Zinc Nickel - 48 Hrs
L	Anodized (Black)
N	Electroless Nickel
P	Plastic Shell
S	Stainless Steel, Passivated
T	Titanium
V	Chem Film
Z	Zinc Nickel

Connector Size 4 (Number of rows + Number of contacts)			
SINGLE ROW			
109	121	131	151
115	125	137	
DUAL ROW			
209	225	251	285
215	231	265	
221	237	269	

Gender 5	
P	Plug
S	Receptacle
CONNECTOR SAVER	
PS	Pin to Socket
GENDER CHANGERS	
PP	Pin to Pin
SS	Socket to Socket

Wired Series* 6	
M32139 STD	
WM	Standard Wire
WIRED PANEL MOUNT	
WP	Standard Panel Mount (Gasket not supplied)
WF	Standard Wire + Fluorosilicone Gasket
WS	Standard Wire + Passivated Silver Plated Aluminum Filled Fluorosilicone Gasket
WN	Standard Wire + Nickel Plated Aluminum Filled Fluorosilicone Gasket

CUSTOM	
C	Custom Wire
D	Custom Wire + Separate Backshell
WIRED PANEL MOUNT	
P	Standard Panel Mount (Gasket not supplied)
F	Custom Wire + Fluorosilicone Gasket
S	Custom Wire + Passivated Silver Plated Aluminum Filled Fluorosilicone Gasket
N	Custom Wire + Nickel Plated Aluminum Filled Fluorosilicone Gasket
R	Custom Wire + Panel O-Ring

* Omit for Connector Saver & Gender Changer

Wire Type* 7	
M32139 STD	
01	NEMA HP3-ETXBBB9
02	NEMA HP3-ETXBBB9
03	NEMA HP3-ETXBBB9
04	NEMA HP3-ETXBBB()
05	NEMA HP3-ETXBBB()
06	NEMA HP3-ETXBBB()
07	M22759/33-30-9
08	M22759/33-30-9
09	M22759/33-30-9
10	M22759/33-30-()
11	M22759/33-30-()
12	M22759/33-30-()
13	04047-30A-9
14	04047-30A-9
15	04047-30A-9
16	04047-30A-()
17	04047-30A-()
18	04047-30A-()
19	M22759/47-30-9
20	M22759/47-30-9
21	M22759/47-30-9
22	M22759/47-30-()
23	M22759/47-30-()
24	M22759/47-30-()
25	M22759/51-30-9
26	M22759/51-30-9
27	M22759/51-30-9
28	M22759/51-30-()
29	M22759/51-30-()
30	M22759/51-30-()
31	M22759/52-30-9
32	M22759/52-30-9

Wire Type* 7	
Continued	
33	M22759/52-30-9
34	M22759/52-30-()
35	M22759/52-30-()
36	M22759/52-30-()

CUSTOM	
GENERAL APPLICATIONS	
A	7 Strand per NEMA-HP3 (MIL-W-16878/4)
C	19 Strand Per NEMA-HP3 (MIL-W-16878/4)
MILITARY APPLICATIONS	
F	SAE AS22759/33 (AWG 30 only)
H	SAE AS22759/47 (AWG 30 only) (alternate space)
Q	SAE AS22759/51 (AWG 30 only) (alternate space low FI)
T	SAE AS22759/52 (AWG 30 only) (alternate low FI)
0	NEMA HP3 (AWG 30) NEMA HP3-ETXBBB ()
7	04047-30A-()

* Omit for Connector Saver & Gender Changer

Wire Finish (Color)* 8	
1	All White — M32139 STD
2	All Yellow
3	Solid Wire Uninsulated, Tin Plated
4	Solid Wire Uninsulated, Gold Plated
6	1 st 10 Colors black thru white, repeated — M32139 STD
7	1 st 15 colors black thru white/Yellow Repeated (Size 21+ Only)
8▲	Twisted Pairs, White/Blue
9▲	Twisted Pairs, White/Blue, Marked

* Omit for Connector Saver & Gender Changer
 † Only available for Custom Wire Types
 ▲ Consult factory for details

Wire Length** — Dimensions in inches 9	
H	6.00 (+1.00/-0.00) — M32139 STD
A	18.00 (+1.00/-0.00) — M32139 STD
B	36.00 (+1.00/-0.00) — M32139 STD
C	72.00 (+1.00/-0.00)
F	Non-Standard Length

* Omit for Connector Saver & Gender Changers
 † Only available for Custom Wire Types

Hardware — Pre-installed by factory 10	
Metric Codes Available	
JACKSCREWS	
S	Captive, Allen head — M32139 STD
Y	Captive, Allen head (metric)
SCREWLOCK	
K	Captive Screwlock (short)
L	Captive Screwlock (long)
MOUNTING HOLE	
B	Mounting Holes — M32139 STD
N	2 Holes (#2-56 UNC-2B) + Inner #0-80 UNF-2B — M32139 STD
M	2 Threaded M2x0.4 6H Holes + Inner #0-80 UNF-2B — M32139 STD
T	Standard Threaded Mount (#0-80 UNF-2B) — M32139 STD
W*	2 Holes (#2-56 UNC-2B) + Inner #2-56 UNC-2B
V*	2 Threaded M2x0.4 6H Holes + Inner #2-56 UNC-2B

* Only available for 285 size

Non-Standard Length Code 11	
Dimensions in inches	
Stranded Wire	1 = 1.00 100 = 100.00
Solid Wire (0.109 < Length < 1.00)	110=.110 999=.999

M32139 part number references are for illustrative purposes only.

CRIMP TERMINATION

PART NUMBER KEY

Connector Series	Specification Sheet	Insert Arrangement	Wire Type/Length	Hardware	Shell Finish	Space Class	Gasket Material	Mounting Thread
1 M32139	2 01	3 F	4 01	5 S	6 A	7 S	8 01	9 M

Connector Series 1

M32139 Nano-D MIL-DTL-32139 spec.

Specification Sheet 2

SINGLE ROW

01 Plug (pin)
02 Receptacle (socket)

DUAL ROW

03 Plug (pin)
04 Receptacle (socket)
09 Plug (Pin) - Rear Panel Mount
10 Receptacle (Socket) - Rear Panel Mount

Insert Arrangement 3

A	9	E	31	J	69
B	15	F	37	K	85
C	21	G	51		
D	25	H	65		

Wire Type/Length 4

6 (152MM)

01 NEMA HP3-ETXBBB9
04 NEMA HP3-ETXBBB()
07 M22759/33-30-9
10 M22759/33-30-()
13 04047-30A-9
16 04047-30A-()
19 M22759/47-30-9
22 M22759/47-30-()
25 M22759/51-30-9
28 M22759/51-30-()
31 M22759/52-30-9
34 M22759/52-30-()

Wire Type/Length 4

Continued

18 (457MM)

02 NEMA HP3-ETXBBB9
05 NEMA HP3-ETXBBB()
08 M22759/33-30-9
11 M22759/33-30-()
14 04047-30A-9
17 04047-30A-()
20 M22759/47-30-9
23 M22759/47-30-()
26 M22759/51-30-9
29 M22759/51-30-()
32 M22759/52-30-9
35 M22759/52-30-()

36 (914MM)

03 NEMA HP3-ETXBBB9
06 NEMA HP3-ETXBBB()
09 M22759/33-30-9
12 M22759/33-30-()
15 04047-30A-9
18 04047-30A-()
21 M22759/47-30-9
24 M22759/47-30-()
27 M22759/51-30-9
30 M22759/51-30-()
33 M22759/52-30-9
36 M22759/52-30-()

Hardware — Pre-installed by factory 5

S Jackscrew Captivated
T Thread hole

Shell Finish 6

A Pure Electro-Deposited Aluminum
C Cadmium (Yellow Chromate)
F Nickel fluorocarbon polymer
N Electroless Nickel
S Stainless Steel, Passivated
T Titanium
Z Zinc Nickel

Space Class 7

Omit for non-space applications

S Space Class

Gasket Material 8

Omit for no gasket

01 Fluorosilicone IAW MIL-DTL-25988, Type II, Class I, Grade 70
02 Passivated Silver Plated Aluminum Filled Fluorosilicone IAW MIL-DTL-8352B, Type D (CHO-Seal 1298 or Equivalent)
03 Nickel Plated Aluminum Filled Fluorosilicone, (CHO-Seal 6503 or Equivalent)

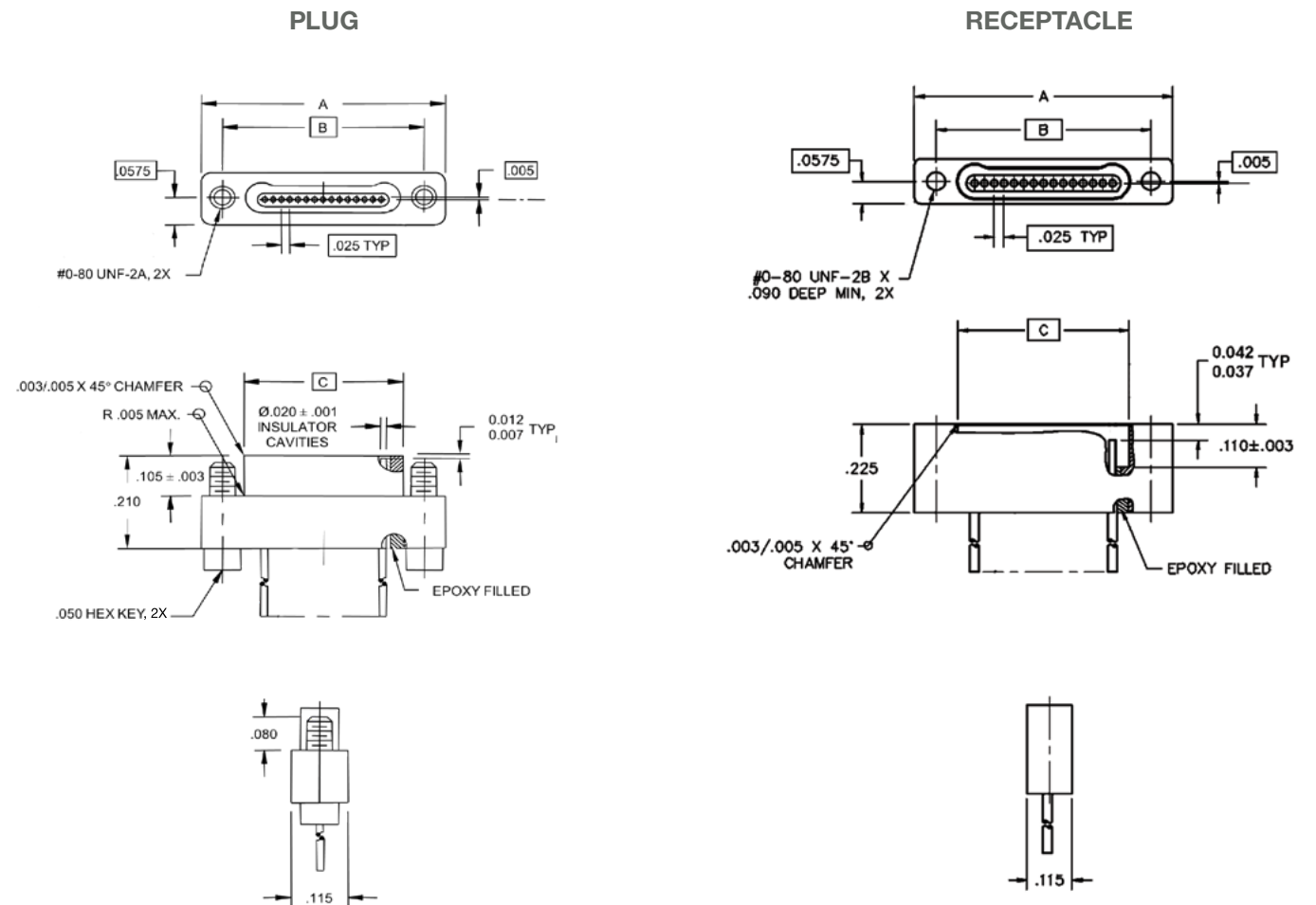
Mounting Options* 9

Omit for #2-56 UNC-2B

M M2X0.4 6H

* Only available for Specification Sheet 09 & 10

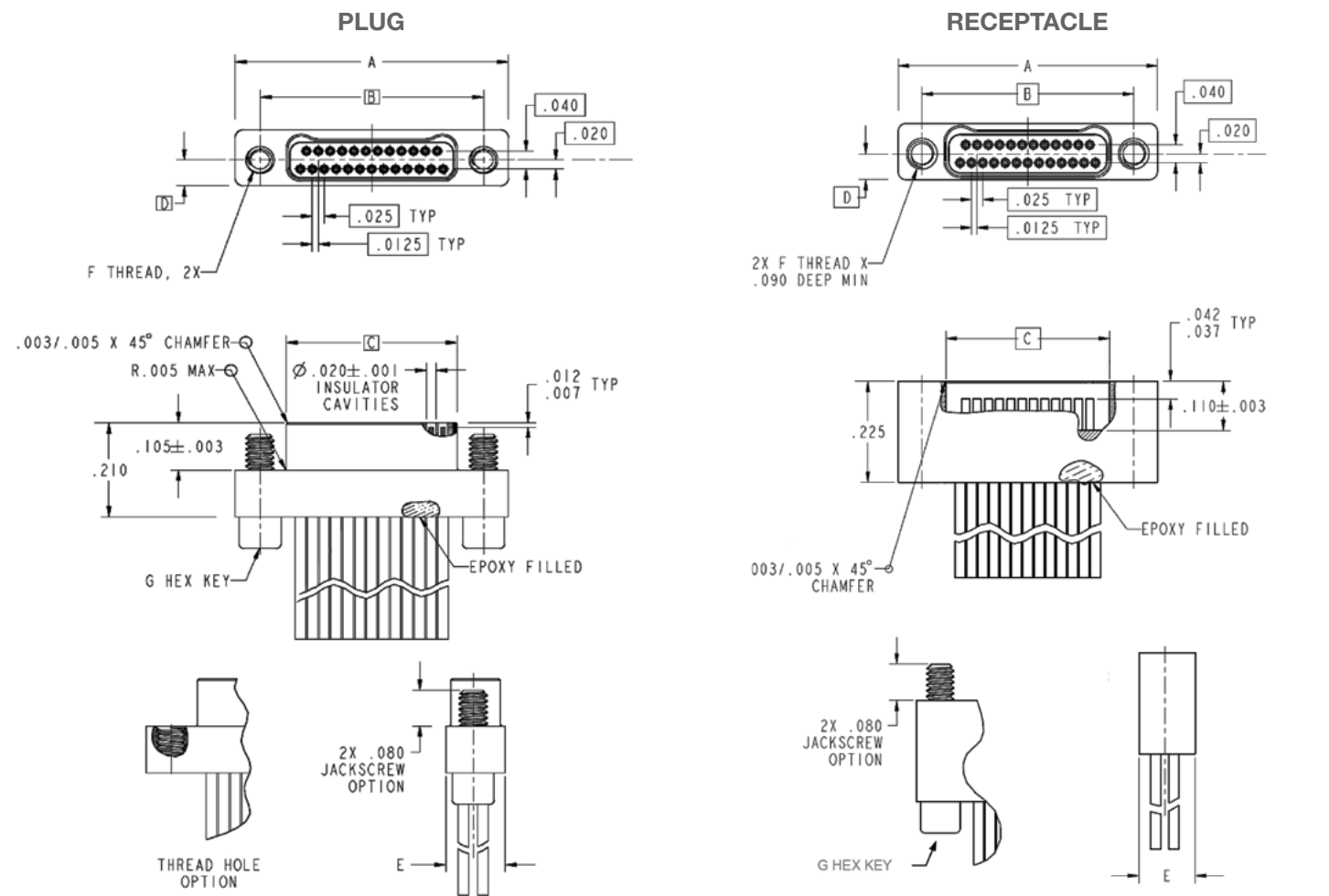
SINGLE ROW



Dimensions are in inch (mm)

SIZE	A	B	C	
			PLUG	RECEPTACLE
09	.500 (12.70)	.395 (10.03)	.284 (7.21)	.285 (7.24)
15	.650 (16.51)	.545 (13.84)	.434 (11.02)	.435 (11.05)
21	.800 (20.32)	.695 (17.65)	.584 (14.83)	.585 (14.86)
25	.900 (22.86)	.795 (20.19)	.684 (17.37)	.685 (17.40)
31	1.050 (26.67)	.945 (24.00)	.834 (21.18)	.835 (21.21)
37	1.200 (30.48)	1.095 (27.81)	.984 (24.99)	.985 (25.02)
51	1.550 (39.37)	1.445 (36.70)	1.334 (33.88)	1.335 (33.91)

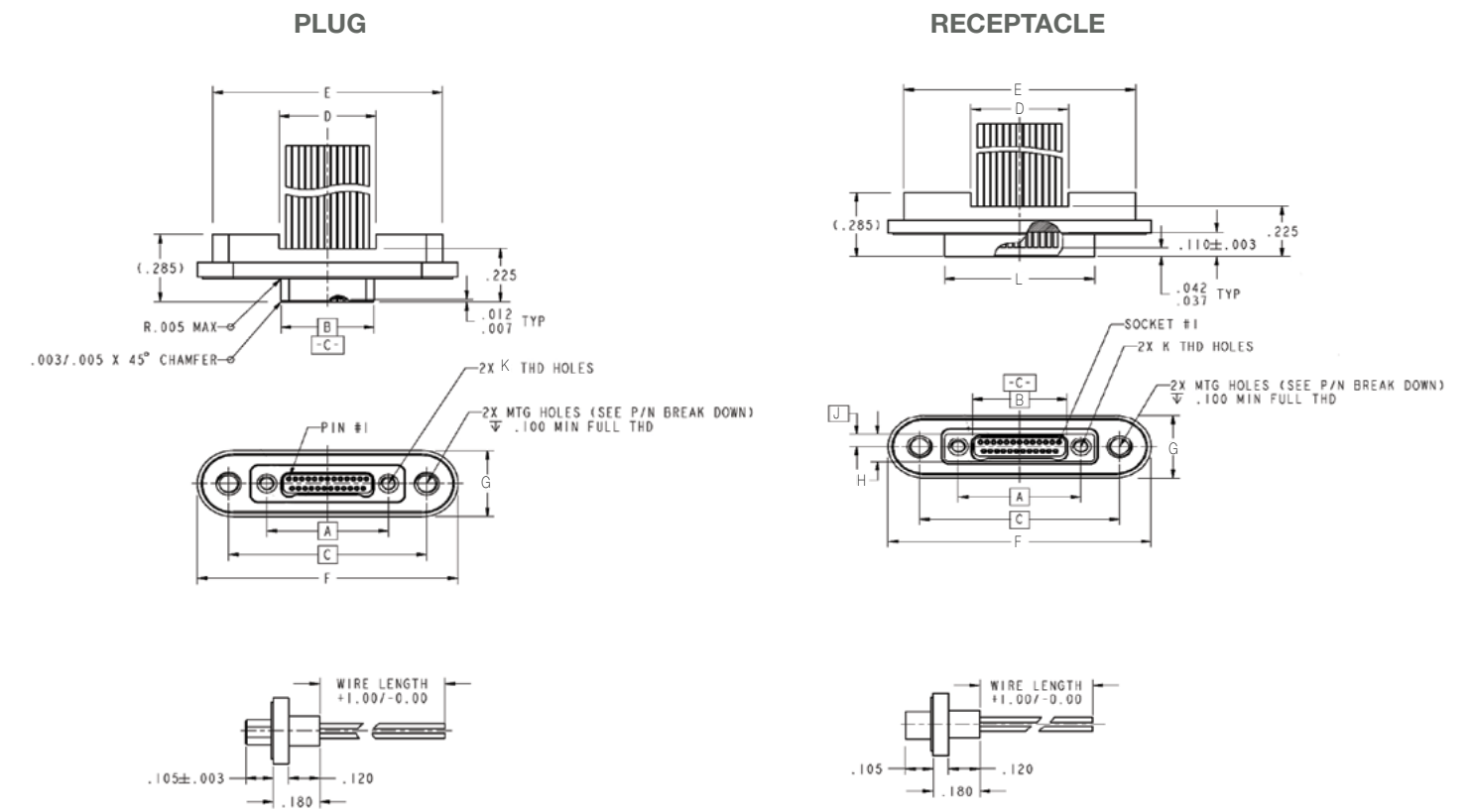
DUAL ROW



Dimensions are in inch (mm)

SIZE	A	B	C		D	E	F Thread	G Hex Key
			PLUG	RECEPTACLE				
09	.375 (9.53)	.270 (6.86)	.160 (4.06)	.163 (4.14)	.0575 (1.46)	.125 (3.18)	#0-80 UNF	0.050
15	.450 (11.43)	.345 (8.76)	.235 (5.97)	.238 (6.05)				
21	.525 (13.34)	.420 (10.67)	.310 (7.87)	.313 (7.95)				
25	.575 (14.61)	.470 (11.94)	.360 (9.14)	.363 (9.22)				
31	.650 (16.51)	.545 (13.84)	.435 (11.05)	.438 (11.13)				
37	.725 (18.42)	.620 (15.75)	.510 (12.95)	.513 (13.03)				
51	.900 (22.86)	.795 (20.19)	.685 (17.40)	.688 (17.48)				
65	1.075 (27.31)	.970 (24.64)	.860 (21.84)	.863 (21.92)				
69	1.125 (28.58)	1.020 (25.91)	.910 (23.11)	.913 (23.19)	.0700 (1.78)	.150 (3.81)	#2-56 UNC	1/16
85	1.377 (34.98)	1.246 (31.65)	1.110 (28.19)	1.113 (28.27)				

DUAL ROW — REAR PANEL MOUNT



Dimensions are in inch (mm)

SIZE	A	B		C	D	E	F	G	J	L
		PLUG	RECEPTACLE							
09	.270 (6.86)	.160 (4.06)	.163 (4.14)	.566 (14.38)	.175 (4.45)	.688 (17.48)	.808 (20.52)	.280 (7.11)	.0575 (1.46)	.375 (9.53)
15	.345 (8.76)	.235 (5.97)	.238 (6.05)	.641 (16.28)	.250 (6.35)	.763 (19.38)	.883 (22.43)			.450 (11.43)
21	.420 (10.67)	.310 (7.87)	.313 (7.95)	.716 (18.19)	.325 (8.26)	.838 (21.29)	.958 (24.33)			.525 (13.34)
25	.470 (11.94)	.360 (9.14)	.363 (9.22)	.766 (19.46)	.375 (9.53)	.888 (22.56)	1.008 (25.60)			.575 (14.61)
31	.545 (13.84)	.435 (11.05)	.438 (11.13)	.841 (21.36)	.450 (11.43)	.963 (24.46)	1.083 (27.51)			.650 (16.51)
37	.620 (15.75)	.510 (12.95)	.513 (13.03)	.916 (23.27)	.525 (13.34)	1.038 (26.37)	1.158 (29.41)			.725 (18.42)
51	.795 (20.19)	.685 (17.40)	.688 (17.48)	1.091 (27.71)	.700 (17.78)	1.213 (30.81)	1.333 (33.86)			.900 (22.86)
65	.970 (24.64)	.860 (21.84)	.863 (21.92)	1.266 (32.16)	.875 (22.23)	1.388 (35.26)	1.508 (38.30)			1.075 (27.31)
69	1.020 (25.91)	.910 (23.11)	.913 (23.19)	1.316 (33.43)	.925 (23.50)	1.438 (36.53)	1.558 (39.57)	1.125 (28.58)		
85	1.246 (31.65)	1.110 (28.19)	1.113 (28.27)	1.568 (39.83)	1.125 (28.58)	1.690 (42.93)	1.810 (45.97)	.305 (7.75)	.0700 (1.78)	1.377 (34.98)

PART NUMBER KEY

RoHS Compliance	Nano Series	Shell Finish	Size	Type	Termination Type/ Connector Series	Hardware	Threaded Insert	Lead Length	Non-Standard Length Code
1 E	2 N9A	3 N	4 109	5 P	6 VM	7 S	8 F	9 G	10 48

RoHS Compliance 1

E	RoHS Compliant
	Blank for Non-RoHS

Nano Series 2

N9A	Nano-D — M32139 STD
-----	----------------------------

Shell Finish 3

F	Nickel fluorocarbon polymer
A	Pure Electro-Deposited Aluminum
B	Zinc Nickel (Black Chromate)
C	Cadmium (Yellow Chromate)
D	Olive Drab Cadmium
G	Gold
K	Zinc Nickel - 48 Hrs
L	Anodized (Black)
N	Electroless Nickel
P	Plastic Shell
S	Stainless Steel, Passivated
T	Titanium
V	Chem Film
Z	Zinc Nickel

Connector Size (Number of rows + Number of contacts) 4

SINGLE ROW			
109	121	131	151
115	125	137	
DUAL ROW			
209	225	251	285
215	231	265	
221	237	269	

Connector Type 5

P	Plug
S	Receptacle
CONNECTOR SAVER	
PS	Pin to Socket
CONNECTOR CHANGERS	
PP	Pin to Pin
SS	Socket to Socket

Termination Type/Connector Series 6

CE	Card Edge (Straddle Mount)
HM	Horizontal Surface Mount
VM	Vertical Surface Mount
HP	Horizontal Panel Mount
VP	Vertical Panel Mount
HT	Horizontal Through Hole
VT	Vertical Through Hole
HE	Horizontal Panel Mount (EMI O-Ring) + Fluorosilicone Gasket
VE	Vertical Panel Mount (EMI O-Ring) + Fluorosilicone Gasket
HG	Horizontal Panel Mount + Passivated Silver Plated Aluminum Filled Fluorosilicone Gasket
VG	Vertical Panel Mount + Passivated Silver Plated Aluminum Filled Fluorosilicone Gasket
HMXX	Horizontal Surface Mount + Mil Spec Gasket
VMXX	Vertical Surface Mount + Mil Spec Gasket

* Omit for Connector Saver (PS)

Hardware — Pre-installed by factory Metric Codes Available 7

JACKSCREWS	
S	Captive, Allen head — M32139 STD
Y	Captive, Allen head (metric)
SCREWLOCK	
K	Captive Screwlock (short)
L	Captive Screwlock (long)
JACKPOST	
C†	Captive Jackpost
MOUNTING HOLE	
B	Mounting Holes — M32139 STD
N	2 Holes (#2-56 UNC-2B) + Inner #0-80 UNF-2B Jackpost — M32139 STD
M	2 Threaded M2x0.4 6H Holes + Inner #0-80 UNF-2B — M32139 STD
T	Standard Threaded Mount (#0-80 UNF-2B) — M32139 STD
W*	2 Holes (#2-56 UNC-2B) + Inner #2-56 UNC-2B
V*	2 Threaded M2x0.4 6H Holes + Inner #2-56 UNC-2B

† Only available for Connector Saver (PS)
* Only available for 285 size

Threaded Insert (Board Mounting) 8

Omit for None — M32139 STD	
H	Bare Hole
M	#0-80 Threaded Insert — M32139 STD
R	#2-56 Threaded Insert
V	M2 Threaded Insert

Lead Length — Dimensions in inches 9

Omit for Connector Savers & Surface Mount

1	.110 ± .010 M32139 STD	4	.250 ± .010
2	.140 ± .010	F	Non Standard Length
3	.172 ± .010		
GOLD			
5	.110 ± .010 M32139 STD	8	.250 ± .010
6	.140 ± .010	G	Non Standard Length
7	.172 ± .010		

Non-Standard Length Code Dimensions in inches 10

Omit for Standard

100 to 999	110 = .110 999 = .999
------------	--------------------------

M32139 part number references are for illustrative purposes only.

PCB TERMINATION

PART NUMBER KEY

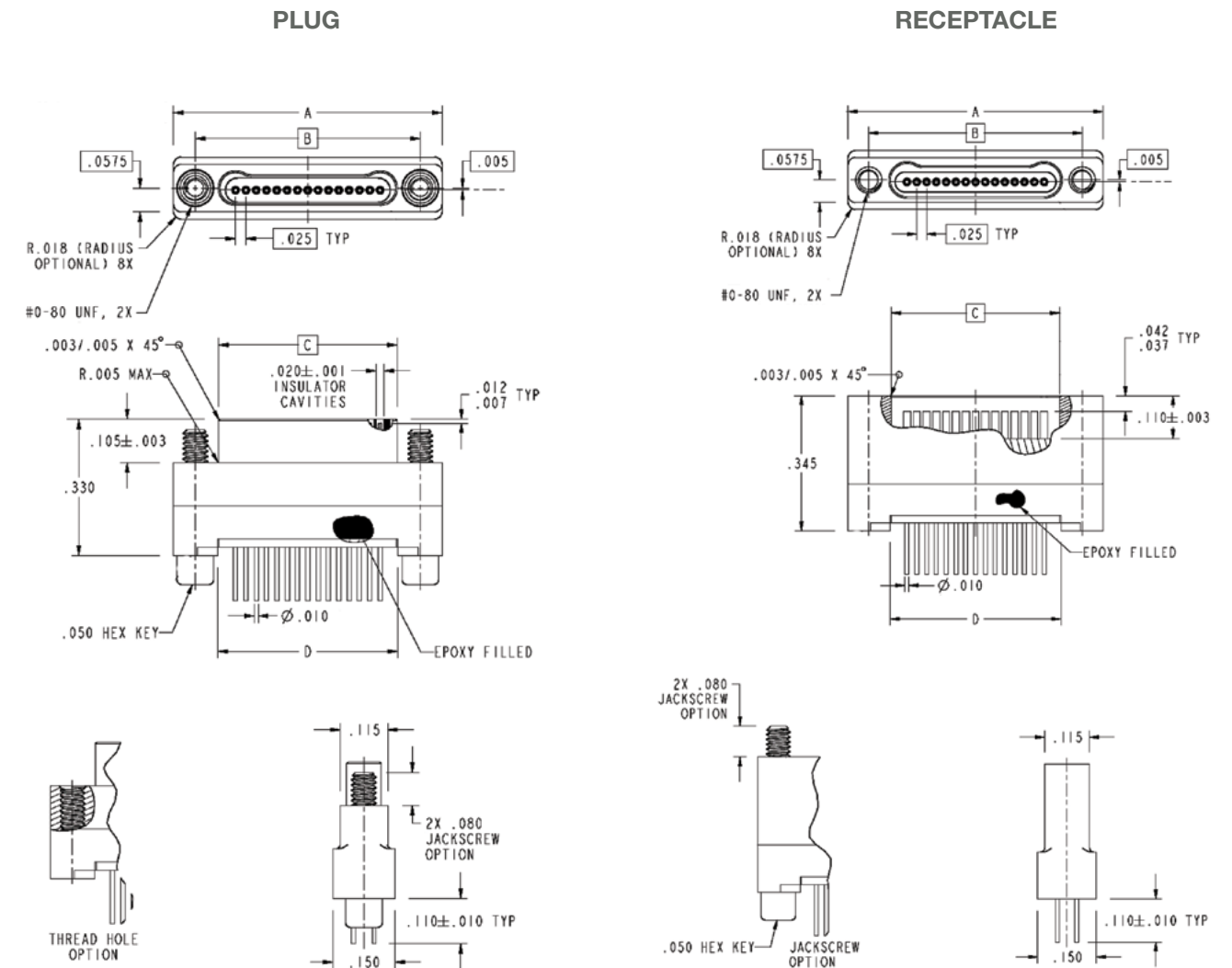
Connector Series	Specification Sheet	Insert Arrangement	Tail Finish	Hardware	Shell Finish	Space Class
1 M32139	2 / 05	3 A	4 01	5 S	6 S	7 S

Connector Series	
M32139	Nano-D MIL-DTL-32139 spec.
Specification Sheet	
SINGLE ROW	
05	Plug Vertical Through-Hole
06	Receptacle Vertical Through-Hole
07	Plug Horizontal Through-Hole
08	Receptacle Horizontal Through-Hole
DUAL ROW	
11	Plug Vertical Through-Hole
12	Receptacle Vertical Through-Hole
13	Plug Horizontal Through-Hole
14	Receptacle Horizontal Through-Hole
15	Plug Vertical Surface Mount
16	Receptacle Vertical Surface Mount
17	Plug Horizontal Surface Mount
18	Receptacle Horizontal Surface Mount

Insert Arrangement *		
A	9	E 31
B	15	F 37
C	21	G 51
D	25	H 65
* Single Row available only from A (9) to G (51)		
Tail Finish		
01	Tin/Lead	
02	Gold	
Hardware — Pre-installed by factory		
S	Jackscrew Captivated	
T	Thread hole	

Shell Finish	
N	Electroless Nickel
S	Stainless Steel, Passivated
A	Pure Electro-Deposited Aluminum
C	Cadmium (Yellow Chromate)
F	Nickel fluorocarbon polymer
T	Titanium
Z	Zinc Nickel
Space Class	
	Blank for non-space applications
S	Space Class

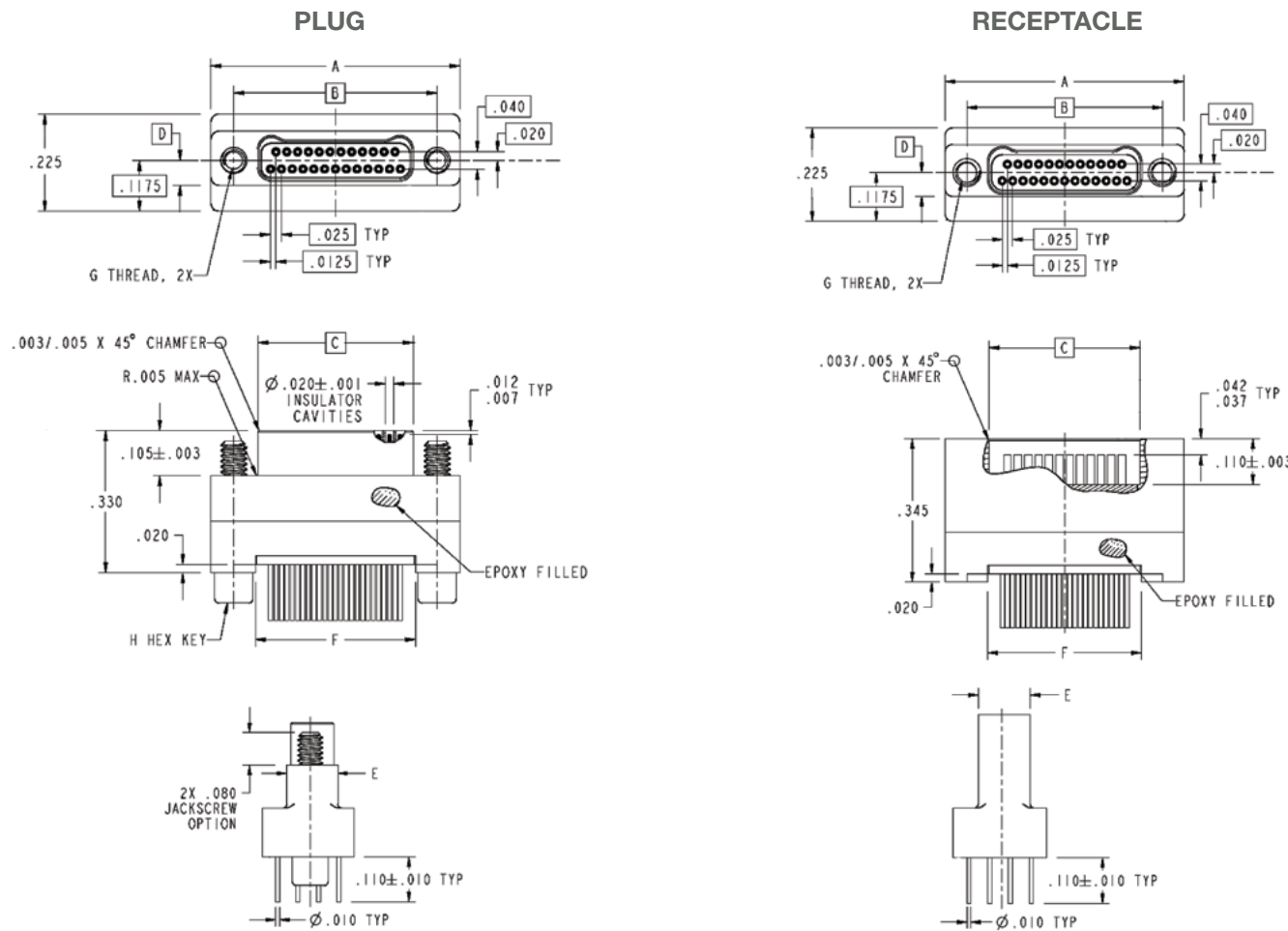
SINGLE ROW



Dimensions are in inch (mm)

SIZE	A	B	C		D
			PLUG	RECEPTACLE	
09	.500 (12.70)	.395 (10.03)	.284 (7.21)	.285 (7.24)	.295 (7.49)
15	.650 (16.51)	.545 (13.84)	.434 (11.02)	.435 (11.05)	.445 (11.30)
21	.800 (20.32)	.695 (17.65)	.584 (14.83)	.585 (14.86)	.595 (15.11)
25	.900 (22.86)	.795 (20.19)	.684 (17.37)	.685 (17.40)	.695 (17.65)
31	1.050 (26.67)	.945 (24.00)	.834 (21.18)	.835 (21.21)	.845 (21.46)
37	1.200 (30.48)	1.095 (27.81)	.984 (24.99)	.985 (25.02)	.995 (25.27)
51	1.550 (39.37)	1.445 (36.70)	1.334 (33.88)	1.335 (33.91)	1.345 (34.16)

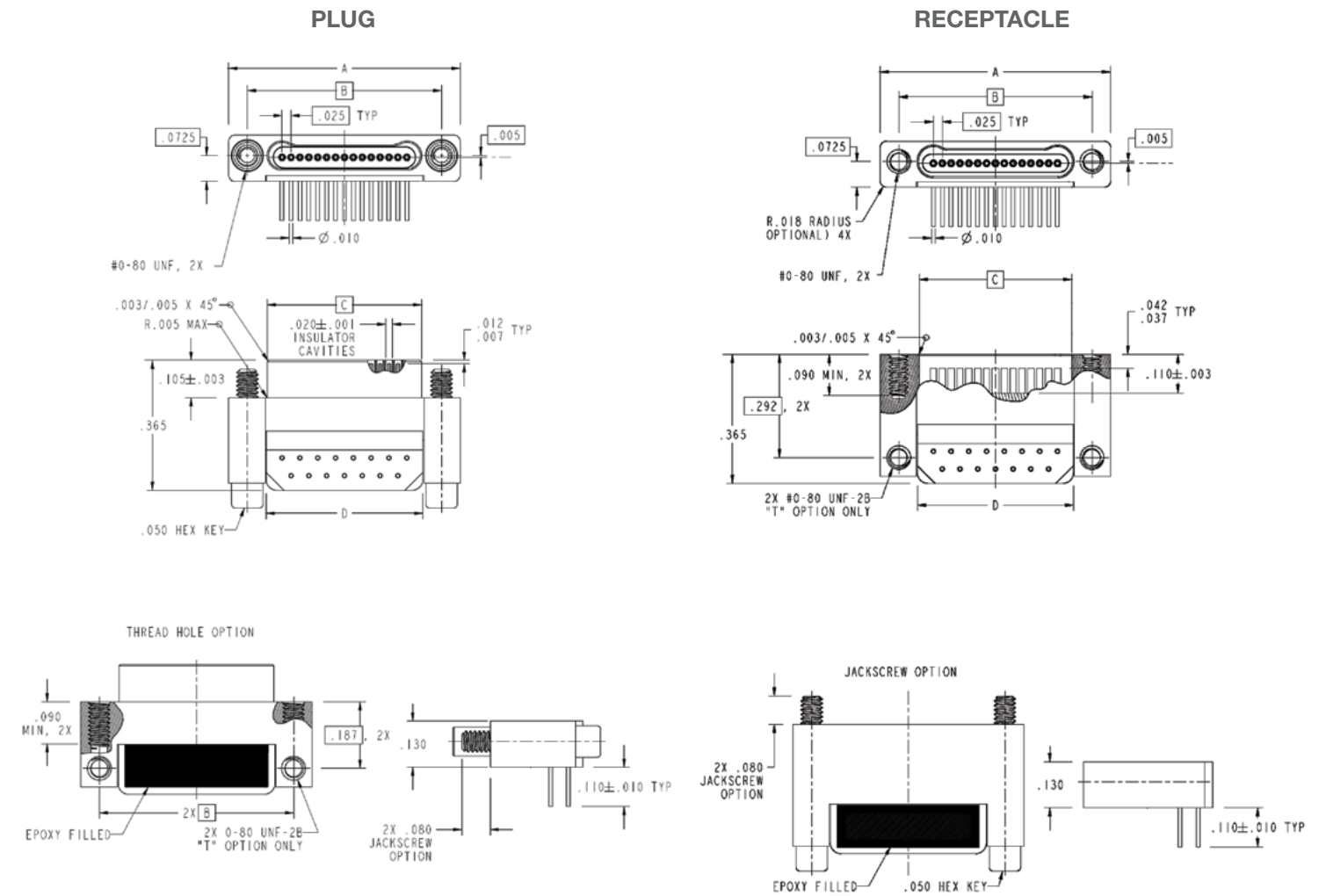
DUAL ROW



Dimensions are in inch (mm)

SIZE	A	B	C		D	E	F
			PLUG	RECEPTACLE			
09	.375 (9.53)	.270 (6.86)	.160 (4.06)	.163 (4.14)	.0575 (1.46)	.125 (3.18)	.170 (4.32)
15	.450 (11.43)	.345 (8.76)	.235 (5.97)	.238 (6.05)			.245 (6.22)
21	.525 (13.34)	.420 (10.67)	.310 (7.87)	.313 (7.95)			.320 (8.13)
25	.575 (14.61)	.470 (11.94)	.360 (9.14)	.363 (9.22)			.370 (9.40)
31	.650 (16.51)	.545 (13.84)	.435 (11.05)	.438 (11.13)			.445 (11.30)
37	.725 (18.42)	.620 (15.75)	.510 (12.95)	.513 (13.03)			.520 (13.21)
51	.900 (22.86)	.795 (20.19)	.685 (17.40)	.688 (17.48)			.695 (17.65)
65	1.075 (27.31)	.970 (24.64)	.860 (21.84)	.863 (21.92)	.870 (22.10)		
69	1.125 (28.58)	1.020 (25.91)	.910 (23.11)	.913 (23.19)	.920 (23.37)		
85	1.377 (34.98)	1.246 (31.65)	1.110 (28.19)	1.113 (28.27)	.0700 (1.78)	.150 (3.81)	1.120 (28.45)

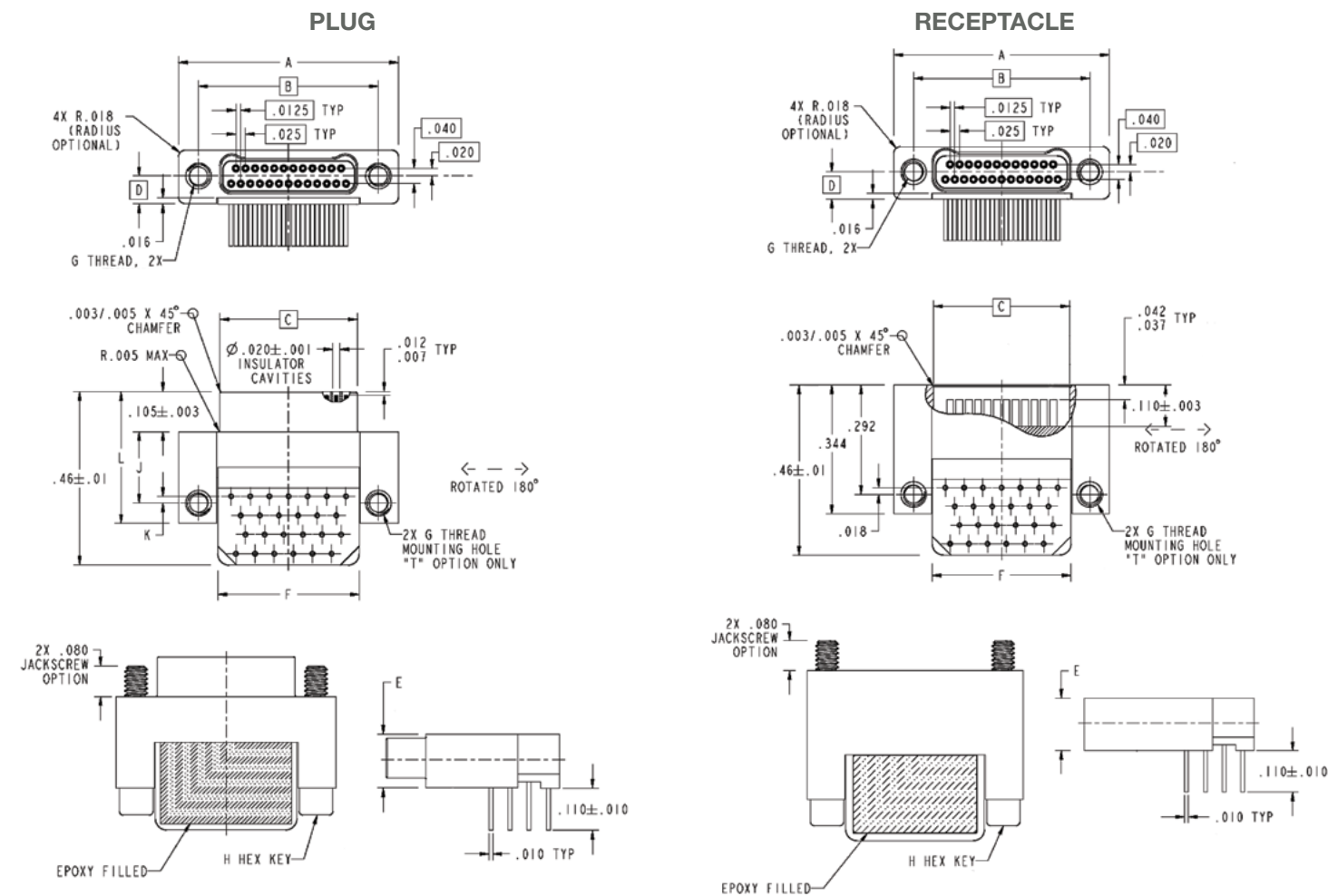
SINGLE ROW



Dimensions are in inch (mm)

SIZE	A	B	C		D MAX
			PLUG	RECEPTACLE	
09	.500 (12.70)	.395 (10.03)	.284 (7.21)	.285 (7.24)	.295 (7.49)
15	.650 (16.51)	.545 (13.84)	.434 (11.02)	.435 (11.05)	.445 (11.30)
21	.800 (20.32)	.695 (17.65)	.584 (14.83)	.585 (14.86)	.595 (15.11)
25	.900 (22.86)	.795 (20.19)	.684 (17.37)	.685 (17.40)	.695 (17.65)
31	1.050 (26.67)	.945 (24.00)	.834 (21.18)	.835 (21.21)	.845 (21.46)
37	1.200 (30.48)	1.095 (27.81)	.984 (24.99)	.985 (25.02)	.995 (25.27)
51	1.550 (39.37)	1.445 (36.70)	1.334 (33.88)	1.335 (33.91)	1.345 (34.16)

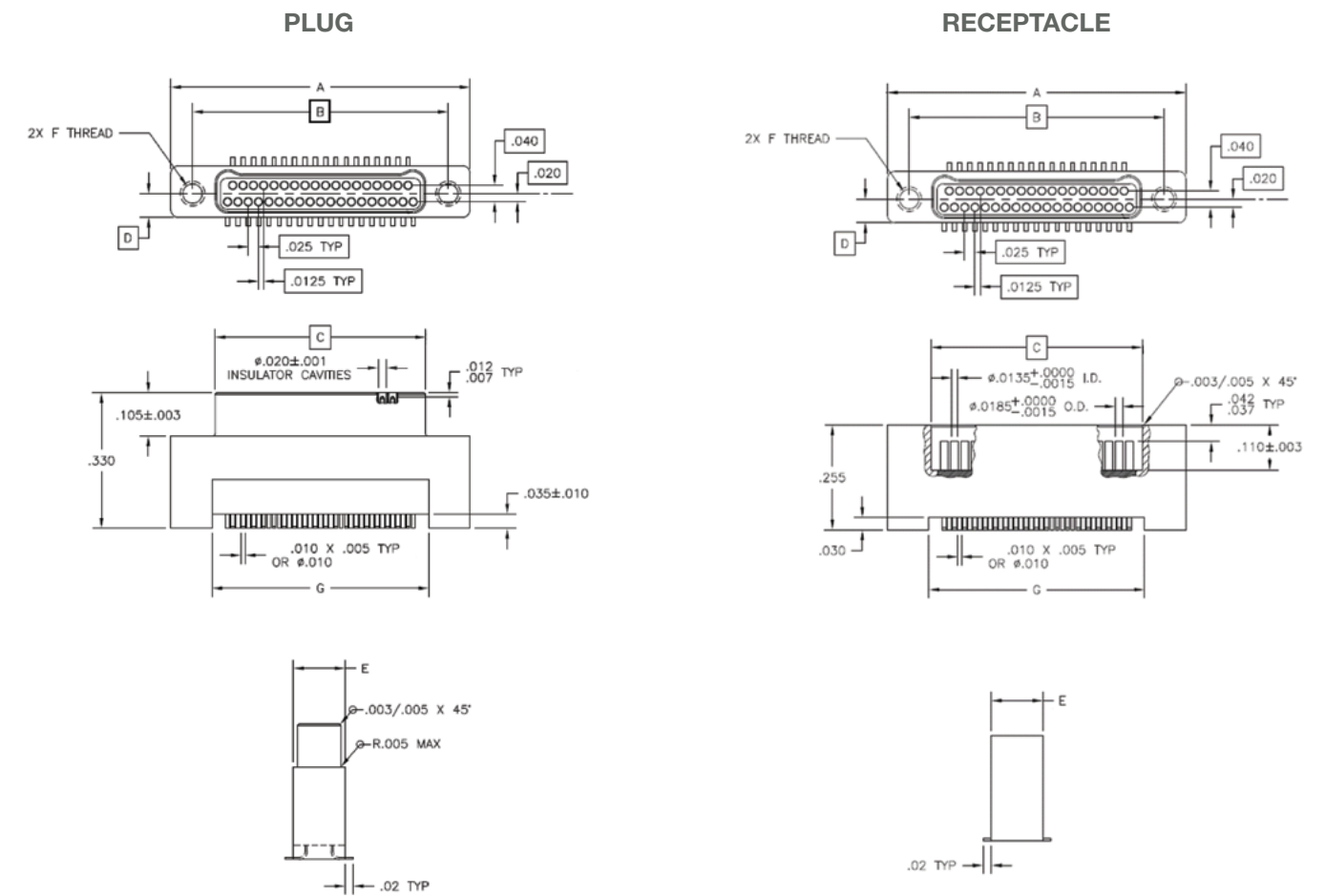
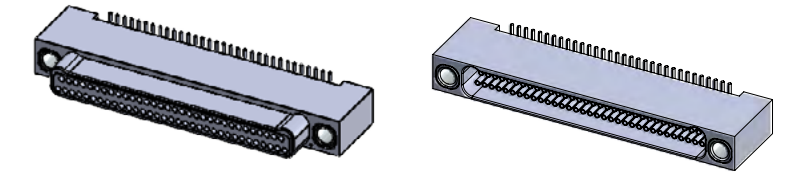
DUAL ROW



Dimensions are in inch (mm)

SIZE	A	B	C		D	E	F	J	K	L
			PLUG	RECEPTACLE						
09	.375 (9.53)	.270 (6.86)	.160 (4.06)	.163 (4.14)	.0725 (1.84)	.140 (3.56)	.170 (4.32)	.187 (4.75)	.018 (0.46)	.344 (8.74)
15	.450 (11.43)	.345 (8.76)	.235 (5.97)	.238 (6.05)			.245 (6.22)			
21	.525 (13.34)	.420 (10.67)	.310 (7.87)	.313 (7.95)			.320 (8.13)			
25	.575 (14.61)	.470 (11.94)	.360 (9.14)	.363 (9.22)			.370 (9.40)			
31	.650 (16.51)	.545 (13.84)	.435 (11.05)	.438 (11.13)			.445 (11.30)			
37	.725 (18.42)	.620 (15.75)	.510 (12.95)	.513 (13.03)			.520 (13.21)			
51	.900 (22.86)	.795 (20.19)	.685 (17.40)	.688 (17.48)			.695 (17.65)			
65	1.075 (27.31)	.970 (24.64)	.860 (21.84)	.863 (21.92)			.870 (22.10)			
69	1.125 (28.58)	1.020 (25.91)	.910 (23.11)	.913 (23.19)			.920 (23.37)			
85	1.377 (34.98)	1.246 (31.65)	1.110 (28.19)	1.113 (28.27)			.085 (2.16)			

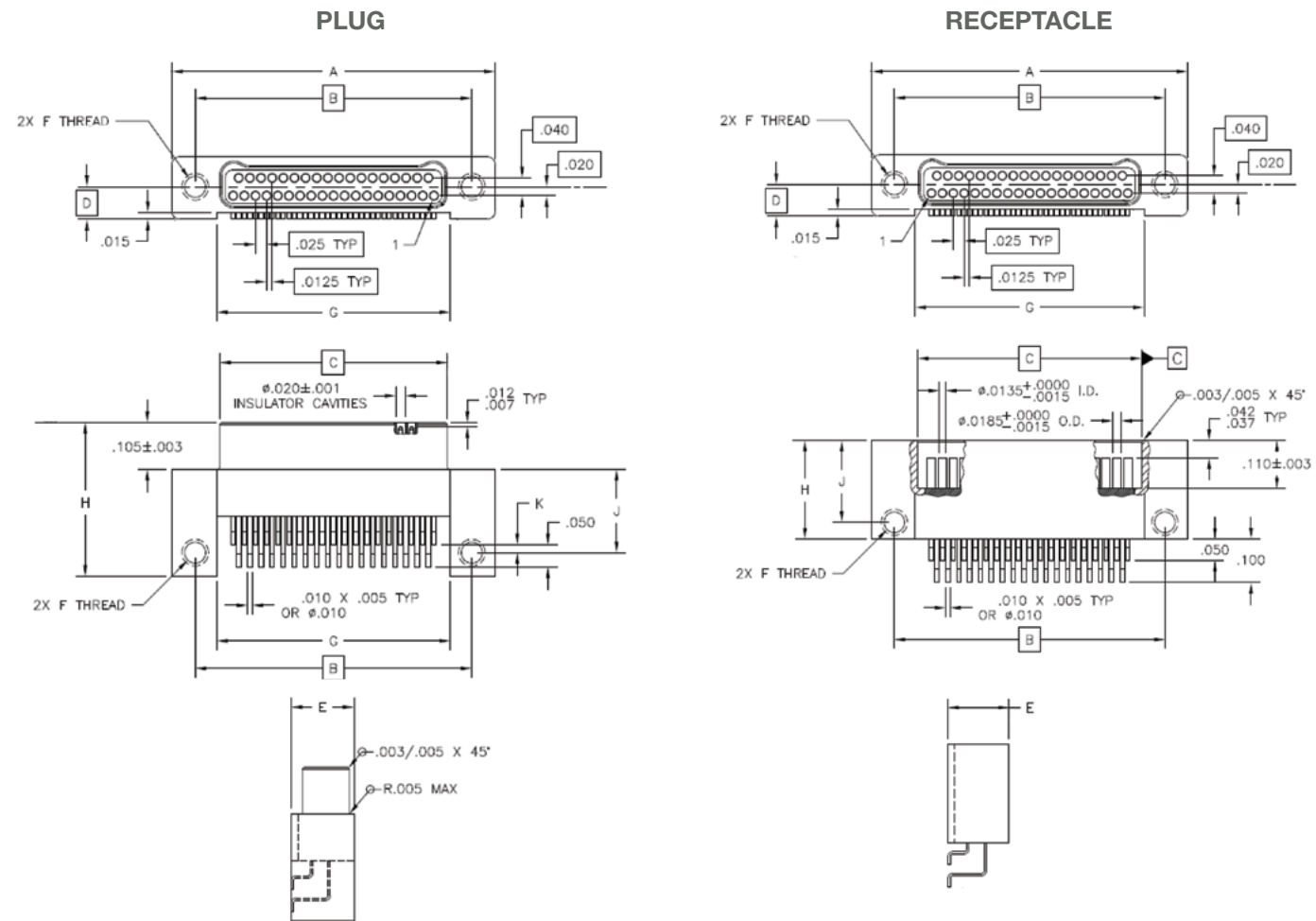
DUAL ROW



Dimensions are in inch (mm)

SIZE	A	B	C		D	E	G MAX
			PLUG	RECEPTACLE			
09	.375 (9.53)	.270 (6.86)	.160 (4.06)	.163 (4.14)	.0575 (1.46)	.125 (3.18)	.175 (4.45)
15	.450 (11.43)	.345 (8.76)	.235 (5.97)	.238 (6.05)			.250 (6.35)
21	.525 (13.34)	.420 (10.67)	.310 (7.87)	.313 (7.95)			.325 (8.26)
25	.575 (14.61)	.470 (11.94)	.360 (9.14)	.363 (9.22)			.375 (9.53)
31	.650 (16.51)	.545 (13.84)	.435 (11.05)	.438 (11.13)			.450 (11.43)
37	.725 (18.42)	.620 (15.75)	.510 (12.95)	.513 (13.03)			.525 (13.34)
51	.900 (22.86)	.795 (20.19)	.685 (17.40)	.688 (17.48)			.700 (17.78)
65	1.075 (27.31)	.970 (24.64)	.860 (21.84)	.863 (21.92)			.875 (22.23)
69	1.125 (28.58)	1.020 (25.91)	.910 (23.11)	.913 (23.19)			.925 (23.50)
85	1.377 (34.98)	1.246 (31.65)	1.110 (28.19)	1.113 (28.27)			.700 (1.78)

DUAL ROW



Dimensions are in inch (mm)

SIZE	A	B	C		D	E	G MAX	H		J		K
			PLUG	RECEPT.				PLUG	RECEPT.	PLUG	RECEPT.	
09	.375 (9.53)	.270 (6.86)	.160 (4.06)	.163 (4.14)	.0725 (1.84)	.140 (3.56)	.175 (4.45)	.345 (8.76)	.225 (5.71)	.187 (4.75)	.018 (0.46)	
15	.450 (11.43)	.345 (8.76)	.235 (5.97)	.238 (6.05)			.250 (6.35)					
21	.525 (13.34)	.420 (10.67)	.310 (7.87)	.313 (7.95)			.325 (8.26)					
25	.575 (14.61)	.470 (11.94)	.360 (9.14)	.363 (9.22)			.375 (9.53)					
31	.650 (16.51)	.545 (13.84)	.435 (11.05)	.438 (11.13)			.450 (11.43)					
37	.725 (18.42)	.620 (15.75)	.510 (12.95)	.513 (13.03)			.525 (13.34)					
51	.900 (22.86)	.795 (20.19)	.685 (17.40)	.688 (17.48)			.700 (17.78)					
65	1.075 (27.31)	.970 (24.64)	.860 (21.84)	.863 (21.92)			.875 (22.23)					
69	1.125 (28.58)	1.020 (25.91)	.910 (23.11)	.913 (23.19)			.925 (23.50)					
85	1.377 (34.98)	1.246 (31.65)	1.110 (28.19)	1.113 (28.27)			.085 (2.16)					.165 (4.19)

OVERVIEW OF COUPLING STYLES AND SERIES

Amphenol circular Nano connectors bring Nano contact density into rugged circular shells. Optimized for secure coupling, shielding and minimal stack height in aerospace and C4I platforms.

The below summarizes available coupling styles and the corresponding series:

Composite

NC05 Series

Composite-insert circular Nano connector for mixed signal and controlled impedance needs in space-constrained applications.

Low Profile Metal Shell

NC08 Series

Low-profile metal-shell variant that minimizes stack height while improving EMI/RFI shielding.

Bayonet Lock

NCLX9 Series

Quick-mate bayonet coupling for fast mate/unmate cycles with robust retention.

Breakaway

NC1X9 Series

Breakaway options for tamper-resistant or safety-release installations.

Thread Lock

NCTX9 Series

Threaded coupling for positive, vibration-resistant retention in high-g environments.

Keyed

NC3X9K Series

Polarized/keyed shells to enforce orientation and support mixed-key configurations.



CIRCULAR NANO

Amphenol's Circular Nano connectors combine nano-D contact density in a circular configuration, offering compact and versatile options for mission-critical applications

Available with all-plastic or metal shell configurations, for threaded, bayonet, breakaway and keyed styles, the family is optimized for controlled-impedance, high-vibration and harsh-environment applications common to aerospace and C4I platforms.

FOR MORE INFORMATION

GENERAL INQUIRIES

✉ sales@amphenolcanada.com
☎ +1 (416) 291-4401

SUPPORT BY REGION:

amphenolcanada.com/Sales

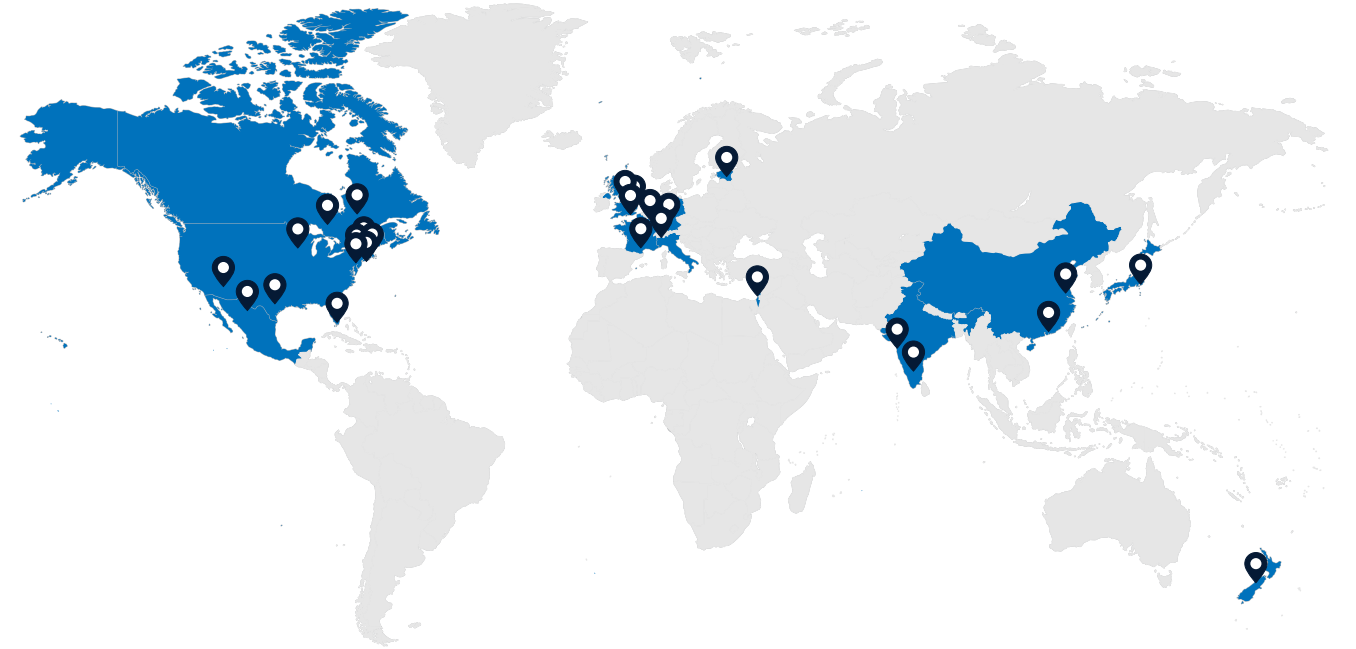
SPECIFICATIONS

Shell	Material	Metal	» Aluminum alloy » Stainless Steel (Passivated)
	Finish	Metal	» Anodized (Black) » Zinc Nickel (Black Chromate) » Cadmium (Yellow Chromate) » Olive Drab Cadmium » Chem Film
			» Gold » Zinc Nickel - 48 hrs » Pure Electro-Deposited Al » Nickel fluorocarbon polymer » Electroless Nickel
Insulator / PCB Backshell		Liquid Crystal Polymer (LCP)	
Contacts	Material	Copper alloy, 50 micro-inches gold plate over nickel	
	Spacing	0.050 (1.27mm) centers	
	Quantity	4 6 7 11 16 19 28 37 39 44 55	
Hardware		Stainless steel, passivated	
Potting Material	Standard	EP1730-1 or equivalent	
	High Temp	EP173859 or equivalent	
Wire	Insulated	NEMA-HP3 (MIL-W-16878) SAE AS22759 DSCC 04047	
Coupling		Friction or Jackscrews into jackposts/threaded Inserts	

FEATURES

- High contact density in a circular footprint
- Versions for controlled-impedance stripline and high-speed signals
- Multiple coupling styles: threaded, bayonet, breakaway and keyed
- Low-profile metal shell option for reduced stack height
- Robust EMI/RFI shielding and improved mechanical retention vs. rectangular shells
- Designed for vibration, shock and harsh environments

Amphenol



Amphenol Canada

5950 14th Avenue
Markham, ON
Canada, L3S 3K5
416-291-4401

Amphenol Aerospace Operations

40-60 Delaware Avenue
Sidney, NY 13838
800-678-0141

Amphenol Commercial Air Division

40-60 Delaware Avenue
Sidney, NY 13838
1-800-687-0141

Amphenol Nexus Technologies

50 Sunnyside Avenue
Stamford, CT 06902
203-327-7300

Amphenol PCD

72 Cherry Hill Drive
Beverly, MA 01915
978-624-3400

Amphenol SV Microwave

2400 Centrepark West Drive
West Palm Beach, FL
561-840-1800

Amphenol Times Microwave, Inc.

358 Hall Avenue
Wallingford, CT 06492
800-867-2629

Amphenol Fiber Systems International

859 State HWY 121, Building 2
Allen, TX 75013
214-547-2400

Amphenol Borisch Technologies

4511 East Paris AVE
Grand Rapids, MI 49512
616-554-9820

Amphenol Printed Circuits

91 Northeastern Boulevard
Nashua, NH 03062
603-324-4500

Amphenol Invotec

Unit 1-3, Hedging Lane Industrial Estate
Dosthill, Tamworth, B77 5HH United Kingdom
+44 (0) 1827 263250

Amphenol Ionix Systems

Prospect House, Taylor Business Park
Risley, Warrington, WA3 6HP United Kingdom
+44 (0) 1942 685200

Amphenol Limited

Thanet Way
Whitstable, Kent, CT5 3JF United Kingdom
+44 (0) 1227 773200

Amphenol Socapex

948 Promenade De L'Arve – BP 29
74311 Thyez France
+33 (0) 4 50 89 28 00

Amphenol Air LB SAS

2 Rue Clément Ader, Zac de Wé
08110 Carignan France
+33 (0) 03 24 22 78 49

Amphenol AirLB GmbH

Am Kleinbahnhof 4
D-66740 Saarlouis Germany
+49 (0) 68 31/98 10 0

Amphenol SEFEE

Z.I. des Cazes – BP243
12402 Saint-Affrique Cedex France
+33 (0) 5 65 98 11 00

Amphenol Interconnect India

105, Bhosari Industrial Area
Pune – 411 026 India
+91 20 27120363

Amphenol Japan, Ltd.

471-1, Deba, Ritto-City
Shiga, 520 3041 Japan
+81 77 553 8501

Amphenol Martec Limited

St. Augustines Business Park
Swalecliffe, Whitstable, Kent
CT5 2QJ United Kingdom
+44 (0) 1227 793 733

Amphenol Optimize

Carretera Internacional Km 6.5
Col. Parque Industrial
Nogales, Sonora, México. C.P. 84094
+52 (631) 311-160

Amphenol Ionix Systems OÜ

Pikk Street 59b
Kuressaare 93815, Estonia
+372 4521 780

AMAO – European Sales Operations

Via Barbaiana 5
20020 Lainate Milano, Italy
+39 02 932 541

Amphenol Bar-Tec Ltd.

3 Hagavish st
POB 2479 Kfar-Saba 44641, Israel
+972-9-7644100

Notice: Specifications are subject to change without notice. Contact your nearest Amphenol Corporation Sales Office for the latest specifications. All statements, information and data given herein are believed to be accurate and reliable but are presented without guarantee, warranty, or responsibility of any kind expressed or implied. Statements or suggestions concerning possible use of our products are made without representation or warranty that any such use is free of patent infringement and are not recommendations to infringe any patent. The user should not assume that all safety measures are indicated or that other measures may not be required. Specifications are typical and may not apply to all connectors.

Amphenol CANADA

MILITARY & AEROSPACE



SMC
Catalog



Product Overview
Brochure



Multi-Modular ARINC
Catalog

Visit amphenolcanada.com
for literature, product data sheets, videos and Patents



R58 Catalog



ARINC 600 Catalog



ARINC 404 Catalog

AMPHENOL CANADA CORPORATION

5950 14th Avenue, Markham, ON L3S4M4

T (416) 291-4401

© 2024. Amphenol Canada Corporation. All Rights Reserved.

Rev.1 — 05/2026