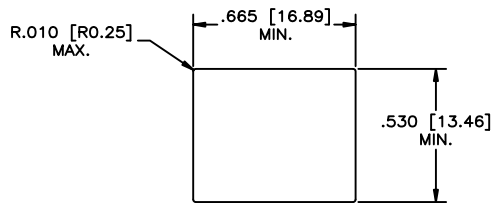
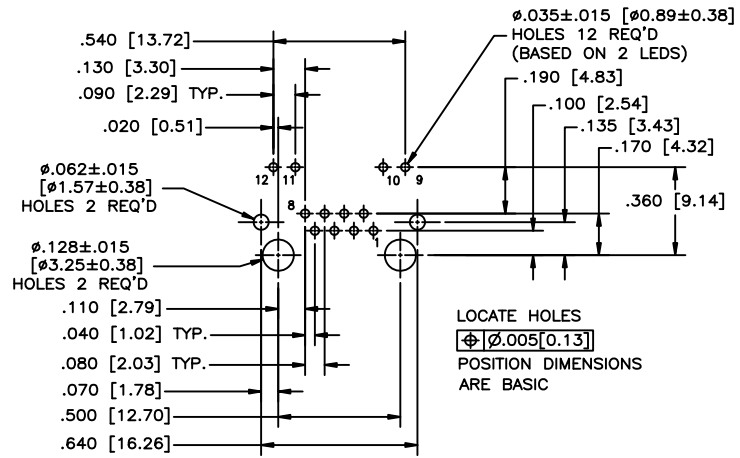
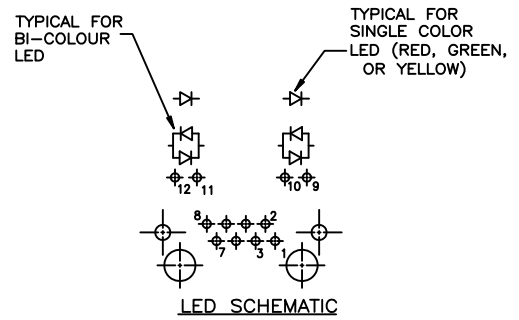
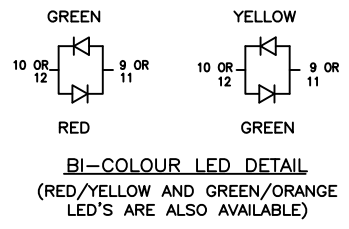
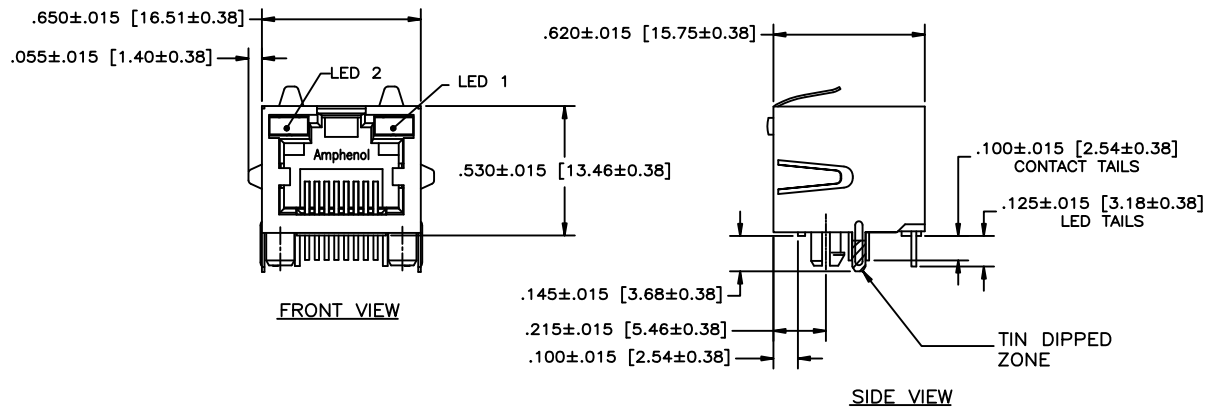


REVISIONS			
SYM	ZONE	ECN, ERN NO.	DATE
D		PROPOSAL	JAN11/12
			L.CHAN



- MATERIALS:**
 PLASTIC HOUSING: HIGH TEMPERATURE THERMOPLASTIC
 FLAMMABILITY RATING UL 94V-0
 CONTACTS: PHOSPHOR BRONZE
 PLATING: 50 μ" [1.27 MICRONS]
 MIN. GOLD ON MATING SURFACES.
 50 μ" [1.27 MICRONS]
 MIN. NICKEL UNDERPLATE
 100 μ" [2.54 MICRONS]
 MIN. MATTE TIN ON CONTACT TAILS.
 SHIELD: STAINLESS STEEL WITH TIN DIP ON SOLDER TAIL
- MECHANICAL:**
 MATING FORCE: 5.0 LBS MAX.
 MATING CYCLES: 200
- ELECTRICAL:**
 CONTACT RESISTANCE: 20MILLIOHMS MAXIMUM
 INSULATION RESISTANCE: 500 MEGOHMS MINIMUM
 VOLTAGE RATING: 125 VOLTS AC
- ENVIRONMENTAL:**
 STORAGE TEMPERATURE: -20°C to 85°C
 STORAGE LIFE: 1 YEAR
 PACKAGING METHOD: TRAY PACKAGING
- UL FILE NUMBER:** E135615
PART NUMBER: RJHSE-548X
 REFER TO LED OPTIONS DRAWING FOR ORDERING CODES

DRAWN PWANG	DATE APR24/06	Amphenol Canada Corp.	
DESIGNED			
CHECKED CHIGOW	DATE APR24/06	TITLE	
I. E. APPRD.		HIGH SPEED, RJ45, MODULAR JACK,	
Q. A. APPRD.		8 POSITION, 8 CONTACTS,	
DWG. APPRD.		SHIELDED, WITH LEDS - RoHS COMPLIANT	
ENG. REL. NO.		DWG	DRAWING NO.
REF.		P-RJHSE-548X	
DIMENSIONS ARE IN INCHES [mm]	CODE ID. NO. 03554	SCALE	WT. SURF. SHEET 1 OF 1

THIS DOCUMENT CONTAINS PROPRIETARY INFORMATION AND SUCH INFORMATION MAY NOT BE DISCLOSED TO OTHERS FOR ANY PURPOSE OR USED FOR MANUFACTURING PURPOSES WITHOUT WRITTEN PERMISSION FROM AMPHENOL CANADA CORP.