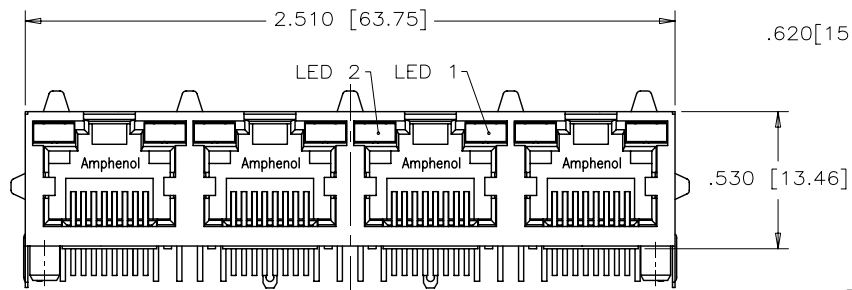
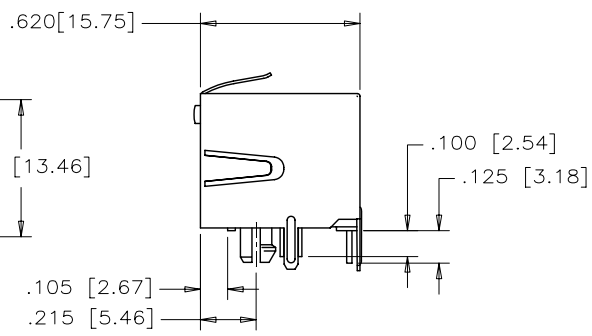


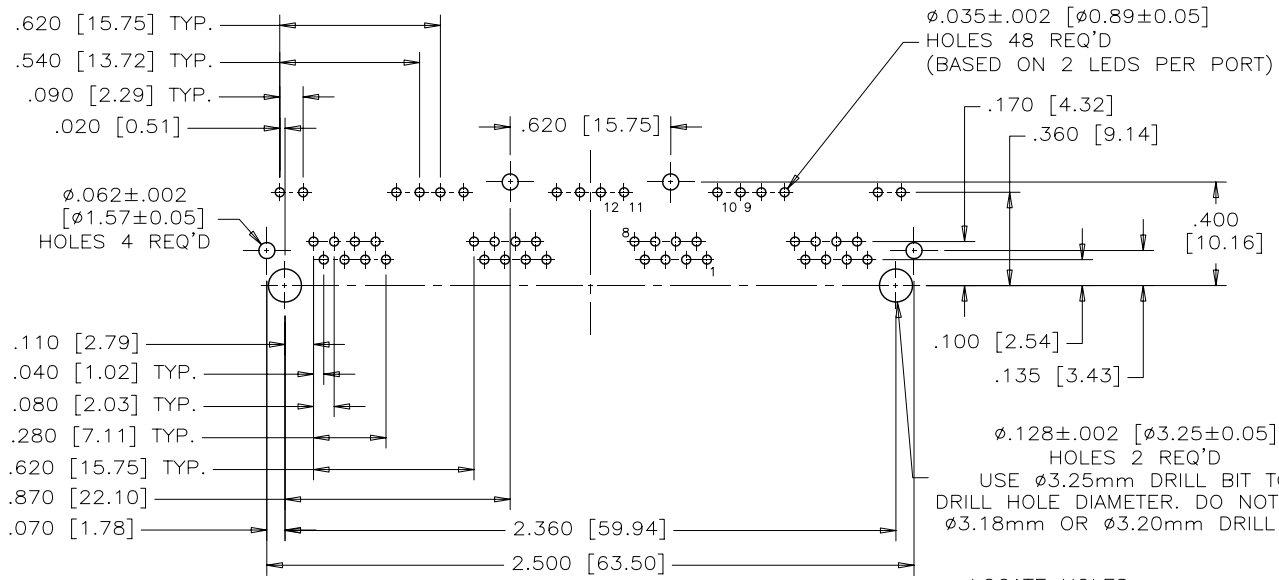
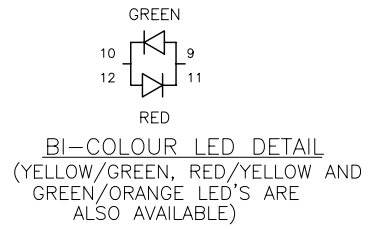
REVISIONS				
SYM	ZONE	ECN, ERN NO.	DATE	APPRD.
F		PROPOSAL	JULY 10,08	L.CHAN



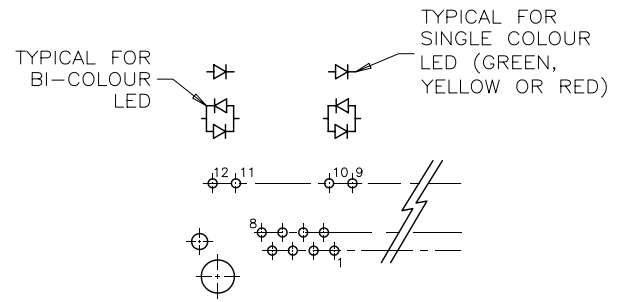
FRONT VIEW



SIDE VIEW



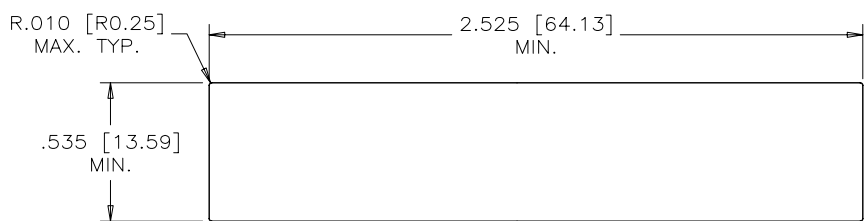
RECOMMENDED P.C.B. LAYOUT
(COMPONENT SIDE OF BOARD)



LED SCHEMATIC

- MATERIALS:**
- HOUSING: ENGINEERING THERMOPLASTIC
FLAMMABILITY RATING UL 94V-0
COLOR: BLACK
 - CONTACTS: PHOSPHOR BRONZE
PLATING: 50 μ" [1.27 MICRONS] MIN.
GOLD ON MATING SURFACES.
50 μ" [1.27 MICRONS] MIN.
NICKEL UNDERPLATE
100 μ" [2.54 MICRONS] MIN.
TIN-LEAD ON CONTACT TAILS.
 - SHIELD: COPPER ALLOY
PLATING: TIN-LEAD ALLOY

LOCATE HOLES
 $\phi \pm 0.005 [0.13]$
 POSITION DIMENSIONS
 ARE BASIC



RECOMMENDED PANEL CUTOUT

PART NUMBER: RJHS-538X-04

REFER TO LED OPTIONS DRAWING
FOR ORDERING CODES

THIS DOCUMENT CONTAINS PROPRIETARY INFORMATION AND SUCH INFORMATION
MAY NOT BE DISCLOSED TO OTHERS FOR ANY PURPOSE OR USED FOR MANUFACTURING
PURPOSES WITHOUT WRITTEN PERMISSION FROM AMPHENOL CANADA CORP.

DRAWN B. YOUNGSON	DATE 99/08/25	Amphenol Canada Corp.		
DESIGNED				
CHECKED A. KARIR	DATE 99/08/25	TITLE 4 PORT, HIGH SPEED, MODULAR JACK, 8 POSITION, 8 CONTACTS, SHIELDED WITH LED'S		
I. E. APPRD.				
Q. A. APPRD.		DWG	DRAWING NO.	REV.
DWG. APPRD.			P-RJHS-538X-04	F
ENG. REL. NO. E08063		SCALE	WT. -----	SURF. -----
REF.				SHEET 1 OF 1
DIMENSIONS ARE IN INCHES [mm]	CODE ID. NO. 03554			