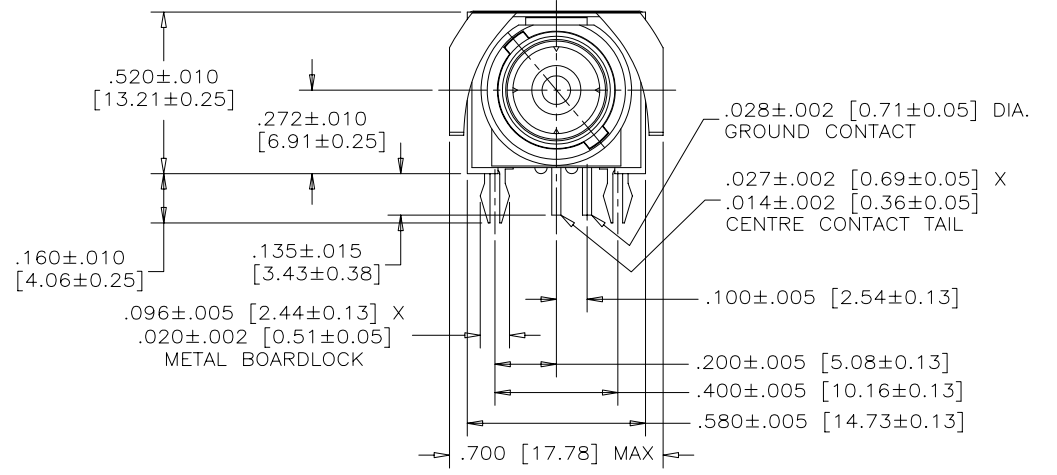
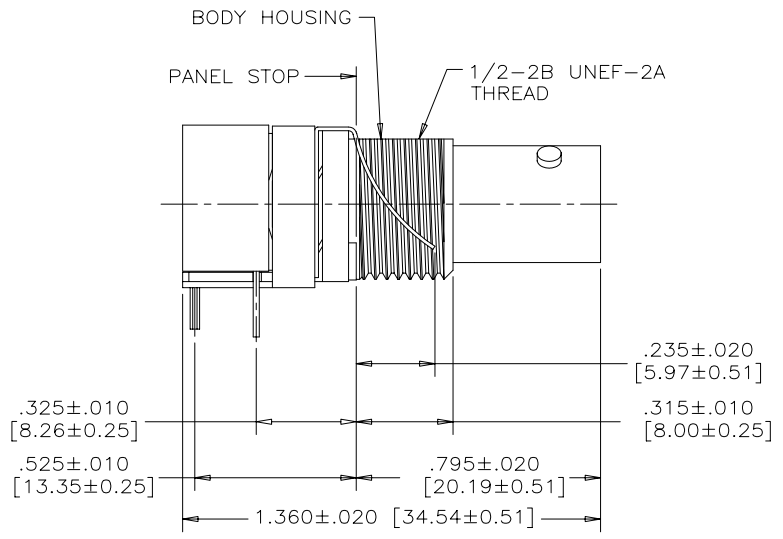
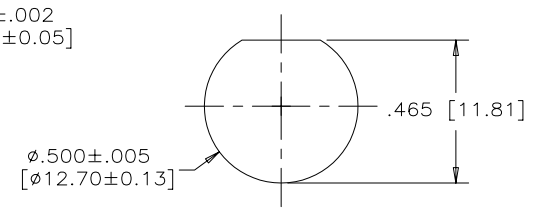
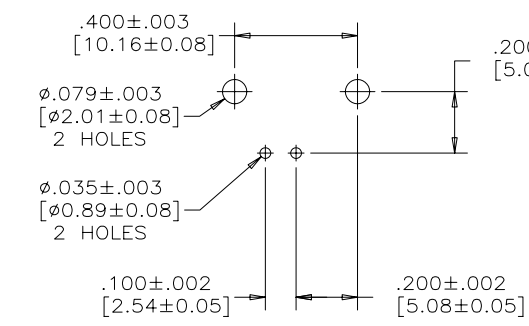


REVISIONS			
REV	ECN, ERN NO.	DATE	APPRD.
E	PRODUCT DRAWING (EAR 12745)	MAY25/05	K.L.



MECHANICAL SPECIFICATION:

- BODY HOUSING: THERMOPLASTIC POLYESTER
- GROUNDING DEVICE: COPPER ALLOY, TIN PLATED
- CENTRE CONTACT: PHOSPHOR BRONZE, 10 MICROINCHES [0.25 MICRONS] GOLD PLATED OVER NICKEL
- METAL BODY: HIGH STRENGTH ZINC DIE-CAST NICKEL PLATED

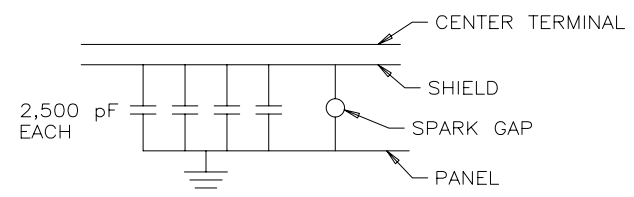


RECOMMENDED PANEL CUT-OUT

P.C.B. CONFIGURATION

ELECTRICAL SPECIFICATION:

CAPACITANCE	10000 pF ± 15%
DIELECTRIC WITHSTANDING VOLTAGE	1000 VDC BREAK BY SPARK GAP DEVICE
WORKING VOLTAGE	200 VDC
IMPEDANCE (SEE PART NUMBER)	50 OR 75 OHM NOMINAL
OPERATING TEMPERATURE	-20°C TO +85°C



CIRCUIT DIAGRAM

AMPHENOL PART NO.	IMPEDANCE
456-117S	50 OHM
456-717S	75 OHM

NOTE: BOARDLOCKS ARE ELECTRICALLY CONNECTED TO THE BODY.

DRAWN I.ESSAJEE	DATE 06/30/97
DESIGNED D.WANG	06/27/97
CHECKED K.LAMBIE	07/21/97
I. E. APPRD.	
Q. A. APPRD.	
DWG. APPRD.	
ENG. REL. NO.	
REF. EAR C8978	
DIMENSIONS ARE IN INCHES [mm]	CODE ID. NO. 03554

Amphenol Canada Corp.
 TITLE 456 SERIES B.N.C. RIGHT ANGLE FILTERED CONNECTOR (WITH SPARK GAP)

DWG C	DRAWING NO. P-456-X17S	REV. E
SCALE 3/1	WT. -----	SURF. -----
SHEET 1 OF 1		

THIS DOCUMENT CONTAINS PROPRIETARY INFORMATION AND SUCH INFORMATION MAY NOT BE DISCLOSED TO OTHERS FOR ANY PURPOSE OR USED FOR MANUFACTURING PURPOSES WITHOUT WRITTEN PERMISSION FROM AMPHENOL CANADA CORP.