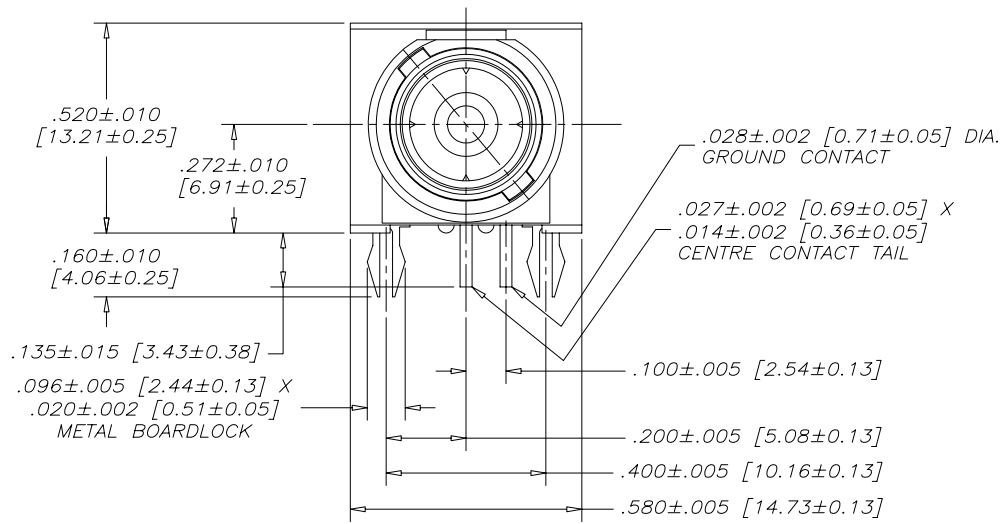
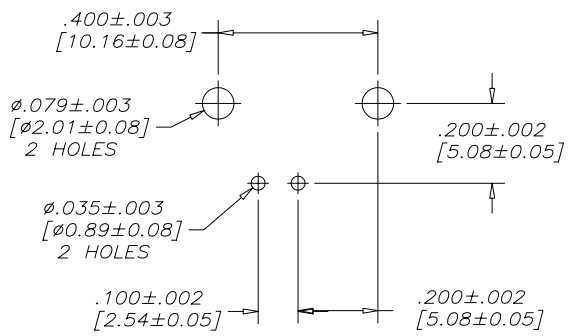


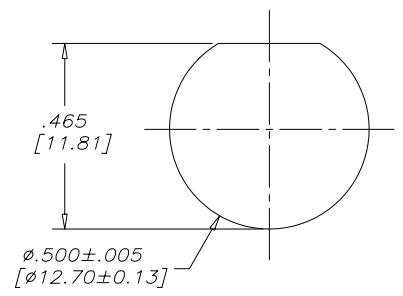
SIDE VIEW



FRONT VIEW



P.C.B. CONFIGURATION



RECOMMENDED PANEL CUT-OUT

MECHANICAL SPECIFICATION:

- BODY HOUSING : THERMOPLASTIC POLYESTER
- CENTER CONTACT : PHOSPHOR BRONZE, 10 MICROINCHES [0.25 MICRONS] GOLD PLATED OVER NICKEL ON MATING AREA AND TIN ON PCB TAILS.
- METAL BODY : HIGH STRENGTH ZINC DIECAST NICKEL PLATED

ELECTRICAL SPECIFICATION:

DIELECTRIC WITHSTANDING VOLTAGE	1000 VDC
IMPEDANCE (SEE PART NUMBER)	50 OR 75 OHM NOMINAL
OPERATING TEMPERATURE	-20°C TO +85°C

AMPHENOL PART NO.	IMPEDANCE
456-117NF	50 OHM
456-717NF	75 OHM

NOTE: BOARDLOCKS ARE ELECTRICALLY CONNECTED TO THE METAL BODY.

THIS DOCUMENT CONTAINS PROPRIETARY INFORMATION AND SUCH INFORMATION MAY NOT BE DISCLOSED TO OTHERS FOR ANY PURPOSE OR USED FOR MANUFACTURING PURPOSES WITHOUT WRITTEN PERMISSION FROM AMPHENOL CANADA CORP.

REVISIONS			
REV	ECN, ERN NO.	DATE	APPRD.
C	PRODUCT DRAWING (EAR 13136)	JUN18/07	K.L.

DRAWN I.ESSAJEE	DATE 00/01/10
CHECKED	
DESIGNED K.LAMBIE	00/01/13
APPROVED	
INDUSTRIAL ENG. APPRD.	
ENGINEERING RELEASE NO.	
REF. EAR 11433	
DIMENSIONS ARE IN INCHES[mm]	NO. CODE IDENT. NO. 03554

Amphenol Canada Corp.		
TITLE 456 SERIES B.N.C. CONNECTOR, RIGHT ANGLE (NON-FILTERED)		
DWG C	DRAWING NO. P-456-X17NF	REV. C
SCALE 4/1	WT. -----	SURF. -----
SHEET 1 OF 1		