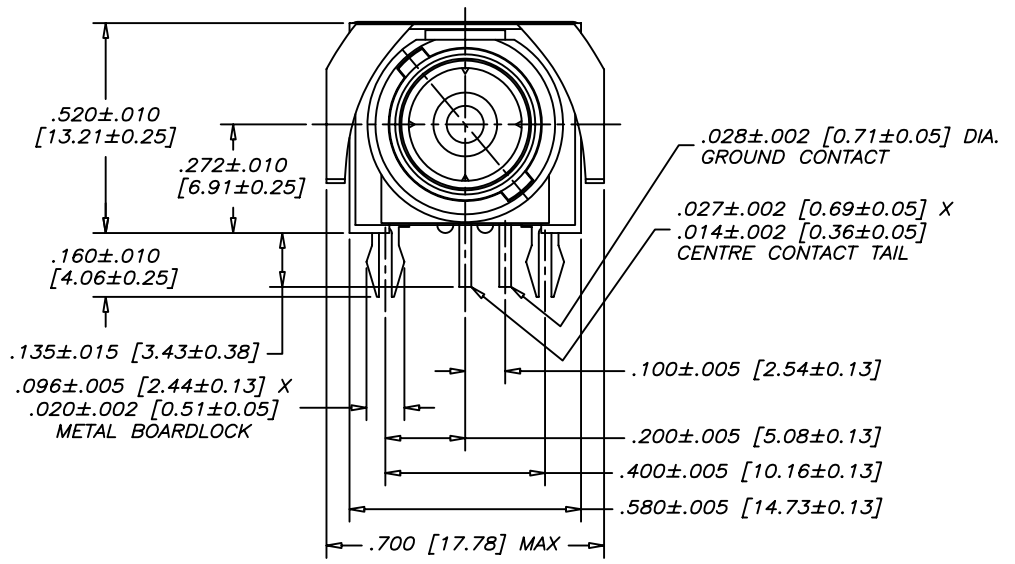
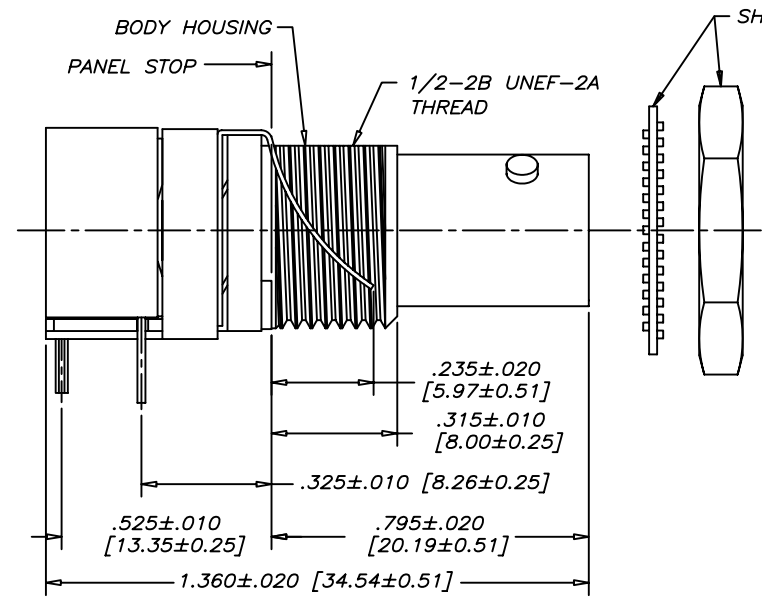


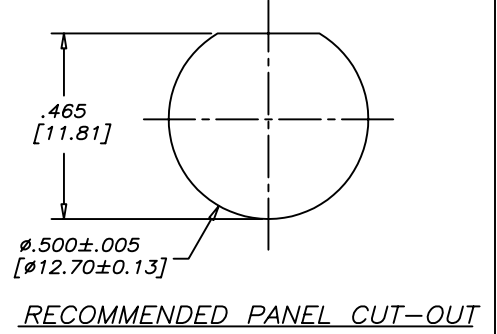
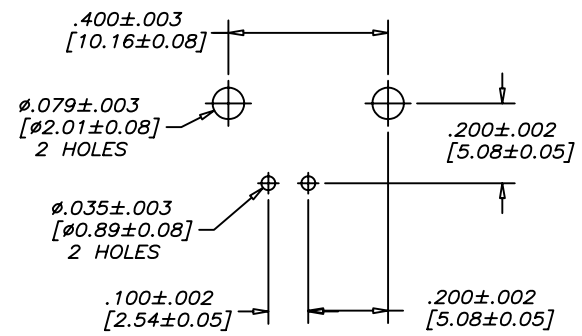
REVISIONS			
SYM	ECN, ERN NO.	DATE	APPRD.
B	PRODUCT DRAWING (EAR 12638)	JAN31/05	K.L.

THIS IS A CAD DRAWING. DO NOT MANUALLY REVISE!



MECHANICAL SPECIFICATION:

- BODY HOUSING : THERMOPLASTIC POLYESTER
- PANEL GROUND SPRING: COPPER ALLOY, TIN PLATED
- CENTER CONTACT : PHOSPHOR BRONZE, 10 MICROINCHES [0.25 MICRONS] GOLD PLATED OVER NICKEL ON MATING AREA AND TIN ON PCB TAILS.
- METAL BODY : HIGH STRENGTH ZINC DIECAST NICKEL PLATED
- TORQUE FOR NUT : 5 IN-LB MAX.



ELECTRICAL SPECIFICATION:

CAPACITANCE	10,000 pF ±15%
DIELECTRIC WITHSTANDING VOLTAGE	1000 VDC 500V RMS
WORKING VOLTAGE	200 VDC
IMPEDANCE (SEE PART NUMBER)	50 OR 75 OHM NOMINAL
OPERATING TEMPERATURE	-20°C TO +85°C

AMPHENOL PART NO.	IMPEDANCE
456-117H	50 OHM
456-717H	75 OHM

NOTE: BOARDLOCKS ARE ELECTRICALLY CONNECTED TO THE METAL BODY.

THIS DOCUMENT CONTAINS PROPRIETARY INFORMATION AND SUCH INFORMATION MAY NOT BE DISCLOSED TO OTHERS FOR ANY PURPOSE OR USED FOR MANUFACTURING PURPOSES WITHOUT WRITTEN PERMISSION FROM AMPHENOL CANADA CORP.

DRAWN: Z. LJUBJANKIC	DATE JAN31/05
DESIGNED	
CHECKED: K. LAMBIE	JAN31/05
I. E. APPRD.	
Q. A. APPRD.	
DWG. APPRD.	
ENG. REL. NO.	
REF.: EAR 12638	
DIMENSIONS ARE IN INCHES [mm]	CODE ID. NO. 03554

Amphenol Canada Corp.	
TITLE	456 SERIES CAPACITELY DECOUPLED B.N.C. CONNECTOR, RIGHT ANGLE (10,000 pF) WITH HARDWARE
DWG C	DRAWING NO. P-456-X17H
SCALE 4/1	WT. _____ SURF. _____ SHEET 1 OF 1