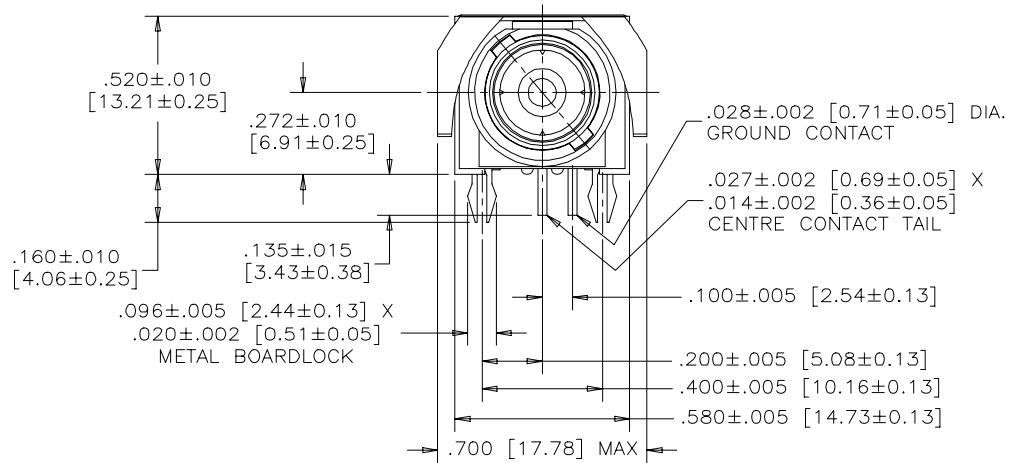
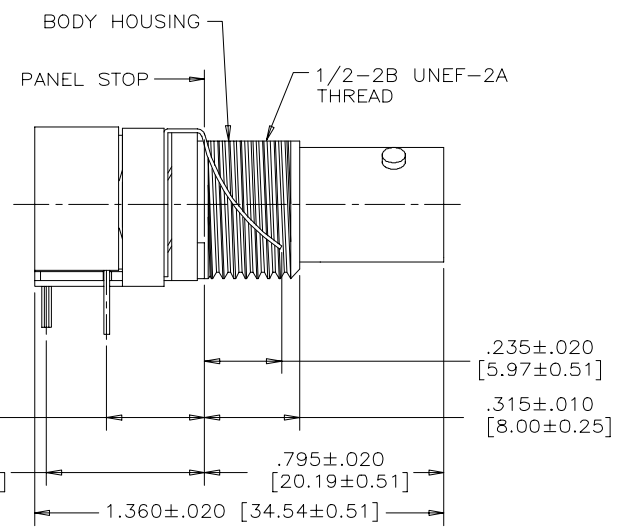


REVISIONS				
SYM	ZONE	ECN, ERN NO.	DATE	APPRD.
B		PROPOSAL	02/11/12	I.E.

THIS IS A CAD DRAWING. DO NOT MANUALLY REVISE!



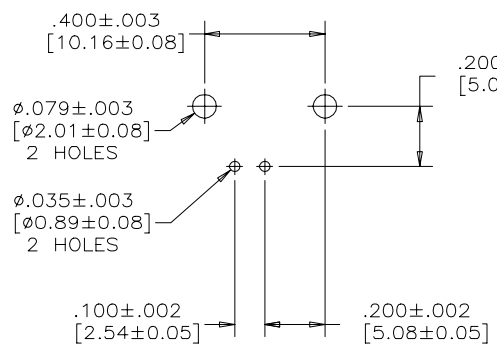
MECHANICAL SPECIFICATION:

- BODY HOUSING : THERMOPLASTIC POLYESTER
- GROUNDING DEVICE : COPPER ALLOY, TIN PLATED
- CENTER CONTACT : PHOSPHOR BRONZE, 10 MICROINCH, GOLD PLATED
- METAL BODY : HIGH STRENGTH ZINC DIECAST NICKEL PLATED

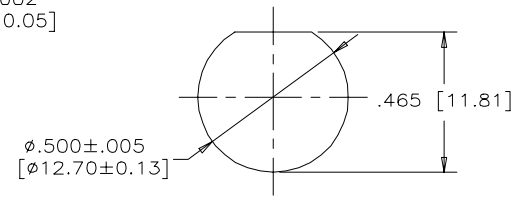
ELECTRICAL SPECIFICATION:

DIELECTRIC WITHSTANDING VOLTAGE	1000 VDC
	500 V RMS
WORKING VOLTAGE	200 VDC
CONTACT RESISTANCE	5 MILLIOHMS MAX
IMPEDANCE (SEE PART NUMBER)	50 OR 75 OHM NOMINAL
OPERATING TEMPERATURE	-20°C TO +85°C

NOTE: BOARDLOCKS AND FRONT PANEL GROUNDING DEVICE ARE ELECTRICALLY CONNECTED TO THE BODY.



P.C.B. CONFIGURATION



RECOMMENDED PANEL CUT-OUT

AMPHENOL PART NO.	IMPEDANCE
456-117G	50 OHM
456-717G	75 OHM

MATERIAL	DESIGNED <i>I.ESSAJEE</i>	DATE <i>96/11/06</i>
-----	CHECKED <i>D.WANG</i>	<i>96/11/07</i>
	I. E. APPRD.	
	Q. A. APPRD.	
	DWG. APPRD.	
	ENG. REL. NO.	
FINISH	REF.	
-----	DIMENSIONS ARE IN INCHES [mm]	CODE ID. NO. 03554

Amphenol Canada Corp.

TITLE
B.N.C. RIGHT ANGLE CONNECTOR - GROUND

DWG	DRAWING NO.	REV.
	P-456-X17G	B
SCALE <i>N.T.S.</i>	WT. -----	SURF. -----
		SHEET 1 OF 1

THIS DOCUMENT CONTAINS PROPRIETARY INFORMATION AND SUCH INFORMATION MAY NOT BE DISCLOSED TO OTHERS FOR ANY PURPOSE OR USED FOR MANUFACTURING PURPOSES WITHOUT WRITTEN PERMISSION FROM AMPHENOL CANADA CORP.