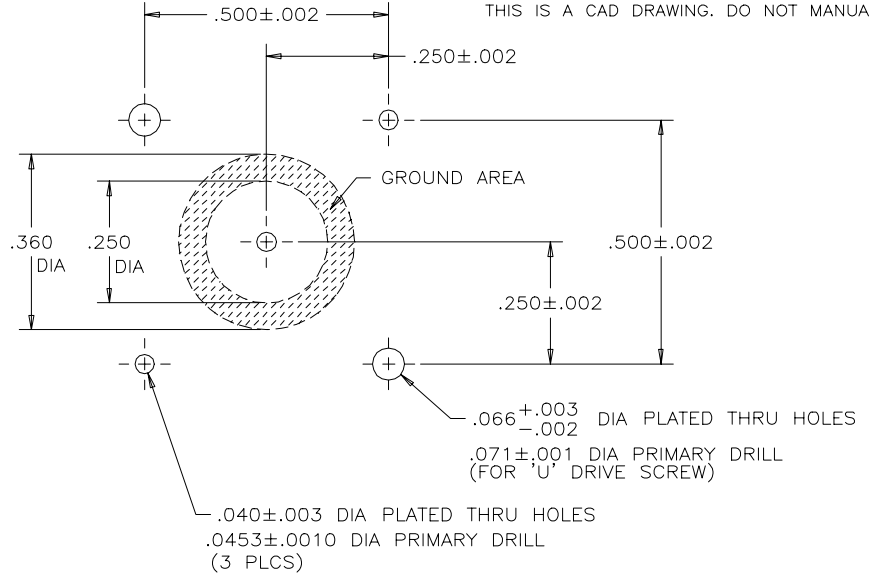
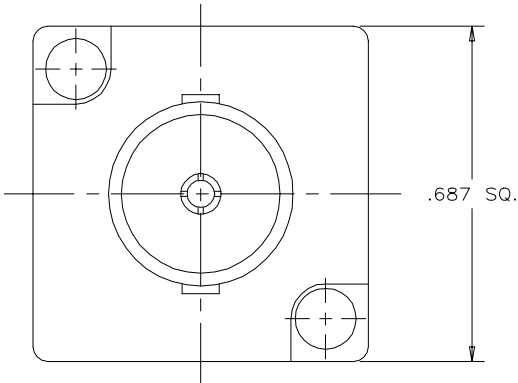
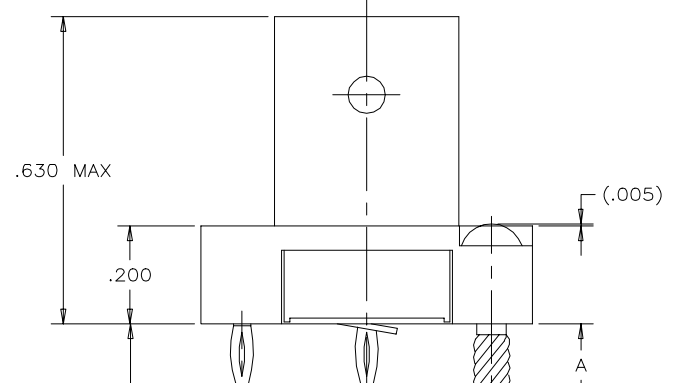


REVISIONS				
SYM	ZONE	ECN, ERN NO.	DATE	APPRD.
E		PROPOSAL	02/11/12	I.E.

THIS IS A CAD DRAWING. DO NOT MANUALLY REVISE!



SUGGESTED HOLE PATTERN



A TYP CORNER AND CENTRE CONTACTS (3 PLCS)

COMPLIANT PIN

SPECIAL 'U' DRIVE 'O' SIZE CAPTIVE IN DOWN POSITION AS SHOWN BUT FREE TO ROTATE.

MECHANICAL TECHNICAL DATA:

MATERIALS:

- SHELL: ZINC DIECAST NICKEL PLATED
- INSERT: TEFLON
- HOUSING: THERMOPLASTIC MATERIAL
- CENTER SOCKET CONTACT: COPPER ALLOY 50 MICROINCH OF GOLD PLATING
- COMPLIANT PIN: COPPER ALLOY TIN-LEAD 60/40 PLATING
- 'U' DRIVE SCREW: STAINLESS STEEL PASSIVATED

ELECTRICAL TECHNICAL DATA:

- CAPACITANCE @ 1 KHz: 10,000 pf ±25%
- WORKING VOLTAGE: 200 VDC
- D.W.V.: 600 VDC
- DISSIPATION FACTOR %: 2.5
- IMPEDANCE: 75 OHMS ±2 OHMS

AMPHENOL PART NUMBER	DIM 'A' ±.020	CONDITION
456-107A	.170	FILTERED
456-107ANF		NON-FILTERED
456-107B	.255	FILTERED
456-107BNF		NON-FILTERED

MATERIAL	DRAWN P. HENRY	DATE 91/04/24	Amphenol Canada Corp.
	CHECKED F.BRIONES	91/04/25	
FINISH	DESIGNED F.BRIONES	91/04/24	TITLE FILTERED B.N.C. STRAIGHT (75 OHMS IMPEDANCE)
	APPROVED		
REF. EAR 5799	INDUSTRIAL ENG. APPRD.		DWG
	ENGINEERING RELEASE NO.		DRAWING NO.
DIMENSIONS ARE IN INCHES	NO. 03554		P-456-107XXX
		SCALE N.T.S.	WT. SURF. SHEET 1 OF 1

THIS DOCUMENT CONTAINS PROPRIETARY INFORMATION AND SUCH INFORMATION MAY NOT BE DISCLOSED TO OTHERS FOR ANY PURPOSE OR USED FOR MANUFACTURING PURPOSES WITHOUT WRITTEN PERMISSION FROM AMPHENOL CANADA CORP.