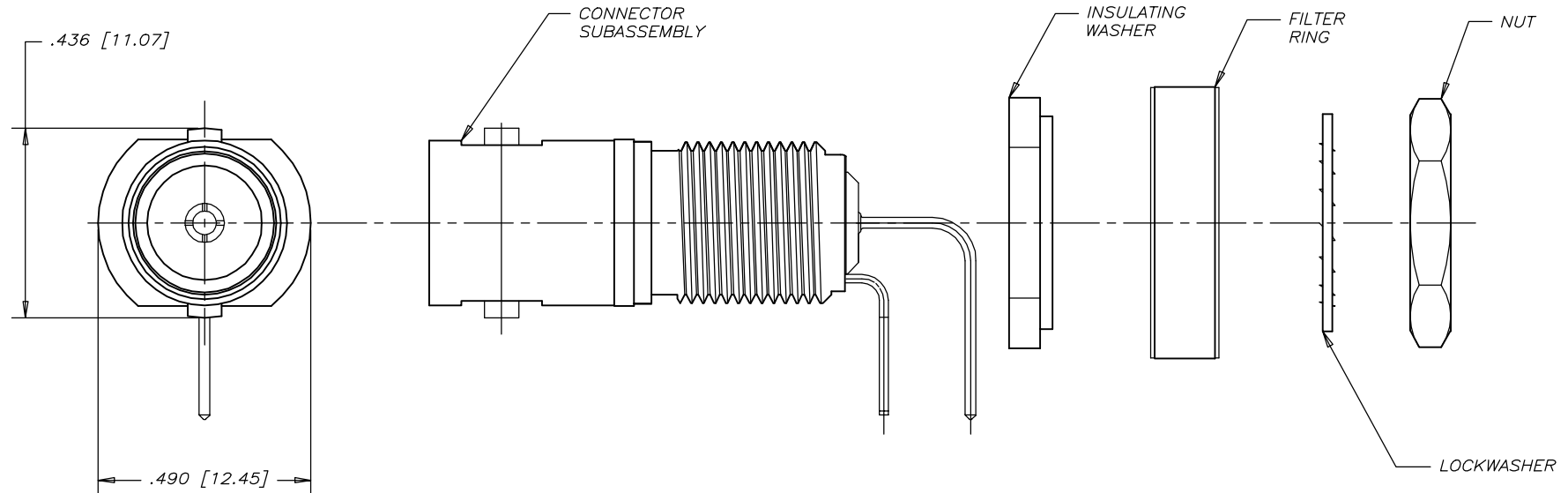


REVISIONS				
SYM	ZONE	ECN, ERN NO.	DATE	APPRD.
A		PRODUCT DRAWING	01/03/20	C.B.

THIS IS A CAD DRAWING. DO NOT MANUALLY REVISE.

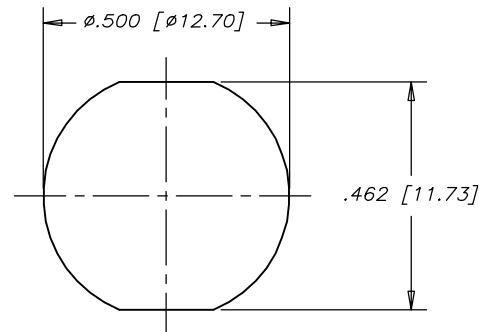


MECHANICAL SPECIFICATION:

METAL BODY: BRASS, NICKEL PLATED
 CONTACT: PHOSPHOR BRONZE, 30 MICROINCHES GOLD
 INSULATING WASHER: THERMOPLASTIC

ELECTRICAL SPECIFICATION:

FUNCTION: CAPACITIVELY ISOLATING CONNECTOR
 GROUND FROM PANEL GROUND
 CAPACITANCE: 10,000 pF ± 20%
 NOMINAL IMPEDANCE: 75 OHMS
 VOLTAGE RATING: 200 VDC
 D.W.V.: 1000 VDC



RECOMMENDED PANEL CUT OUT

AMPHENOL PART NO. 456-107LG3

THIS DOCUMENT CONTAINS PROPRIETARY INFORMATION AND SUCH INFORMATION MAY NOT BE DISCLOSED TO OTHERS FOR ANY PURPOSE OR USED FOR MANUFACTURING PURPOSES WITHOUT WRITTEN PERMISSION FROM AMPHENOL CANADA CORP.

DRAWN C.BOISVERT	DATE 01/03/18	Amphenol Canada Corp.		
DESIGNED		TITLE		
CHECKED		FILTERED BNC, LONG TAILS, 30 MICROINCHES GOLD		
I. E. APPRD.		DWG	DRAWING NO.	REV.
Q. A. APPRD.		C	P-456-107LG3	A
DWG. APPRD. K.BOUTROS	01/03/19	SCALE	1/1	WT. -----
ENG. REL. NO.		SURF.	----	SHEET 1 OF 1
REF. EAR 11321				
DIMENSIONS ARE IN INCHES [mm]	CODE ID. NO. 03554			