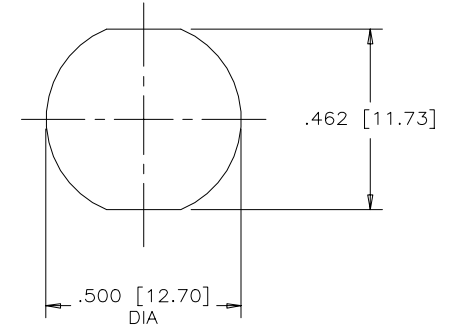
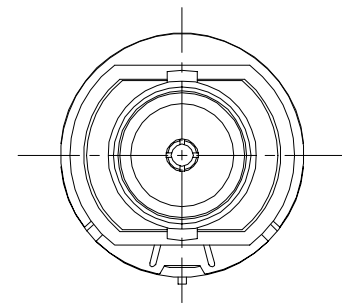
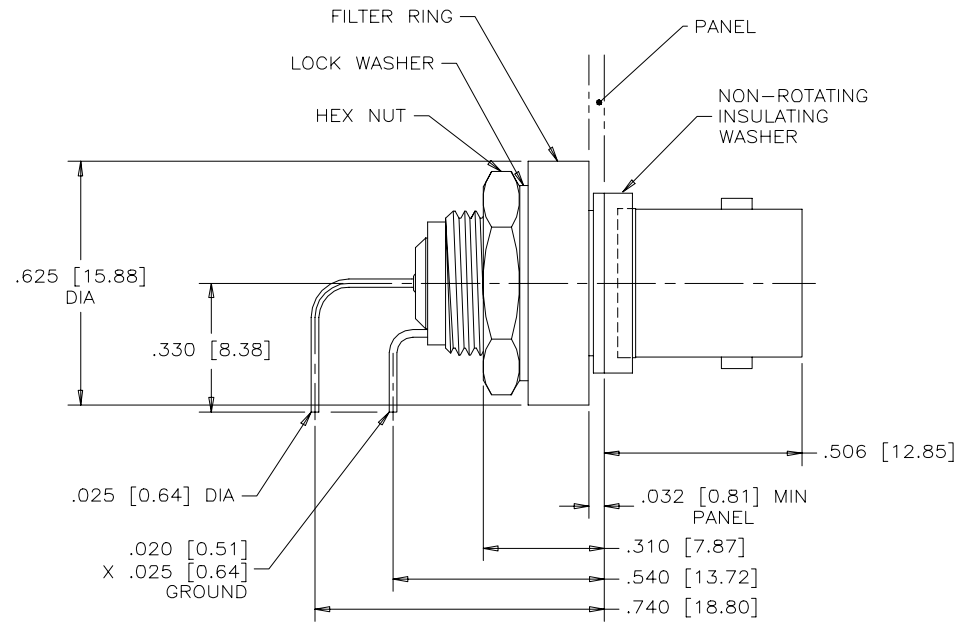


REVISIONS				
SYM	ZONE	ECN, ERN NO.	DATE	APPRD.
A		PROPOSAL	02/11/12	K.B.

THIS IS A CAD DRAWING. DO NOT MANUALLY REVISE.



MECHANICAL SPECIFICATIONS:

- CENTRE INSERT: TEFLON
- METAL BODY: NICKEL PLATED BRASS
- CENTRE CONTACT: PHOSPHOR BRONZE, 10 μINCHES [0.25 MICRONS] GOLD PLATED
- GROUND TERMINAL: BRASS, TIN PLATED
- FILTER RING HOUSING: THERMOPLASTIC
- INSULATING WASHER: THERMOPLASTIC

ELECTRICAL SPECIFICATIONS:

- CAPACITANCE: 10,000 pF ±20%
- DIELECTRIC WITHSTANDING VOLTAGE: 600 VDC
- WORKING VOLTAGE: 200 VDC
- IMPEDANCE: 75 Ω
- OPERATING TEMPERATURE: -20°C TO +85°C

NOTE: CONNECTOR PACKAGING CONSISTS OF ONE OF EACH OF CONNECTOR, INSULATING WASHER, FILTER RING, LOCK WASHER AND HEX NUT.

AMPHENOL P/N 456-107

THIS DOCUMENT CONTAINS PROPRIETARY INFORMATION AND SUCH INFORMATION MAY NOT BE DISCLOSED TO OTHERS FOR ANY PURPOSE OR USED FOR MANUFACTURING PURPOSES WITHOUT WRITTEN PERMISSION FROM AMPHENOL CANADA CORP.

MATERIAL -----	DRAWN I.ESSAJEE	DATE 02/10/01	Amphenol Canada Corp.			
	DESIGNED					
FINISH -----	CHECKED A.T.P.	DATE 02/11/12	TITLE 456 SERIES BNC CONNECTOR FRONT MOUNT-RIGHT ANGLE PCB			
	I. E. APPRD.					
	Q. A. APPRD.					
	DWG. APPRD. K.BOUTROS	DATE 02/11/12			DWG	DRAWING NO.
	ENG. REL. NO.					P-456-107
	REF. EAR #11955					REV. A
DIMENSIONS ARE IN INCHES [mm]	CODE ID. NO. 03554	SCALE N.T.S.	WT. -----	SURF. -----	SHEET 1 OF 1	